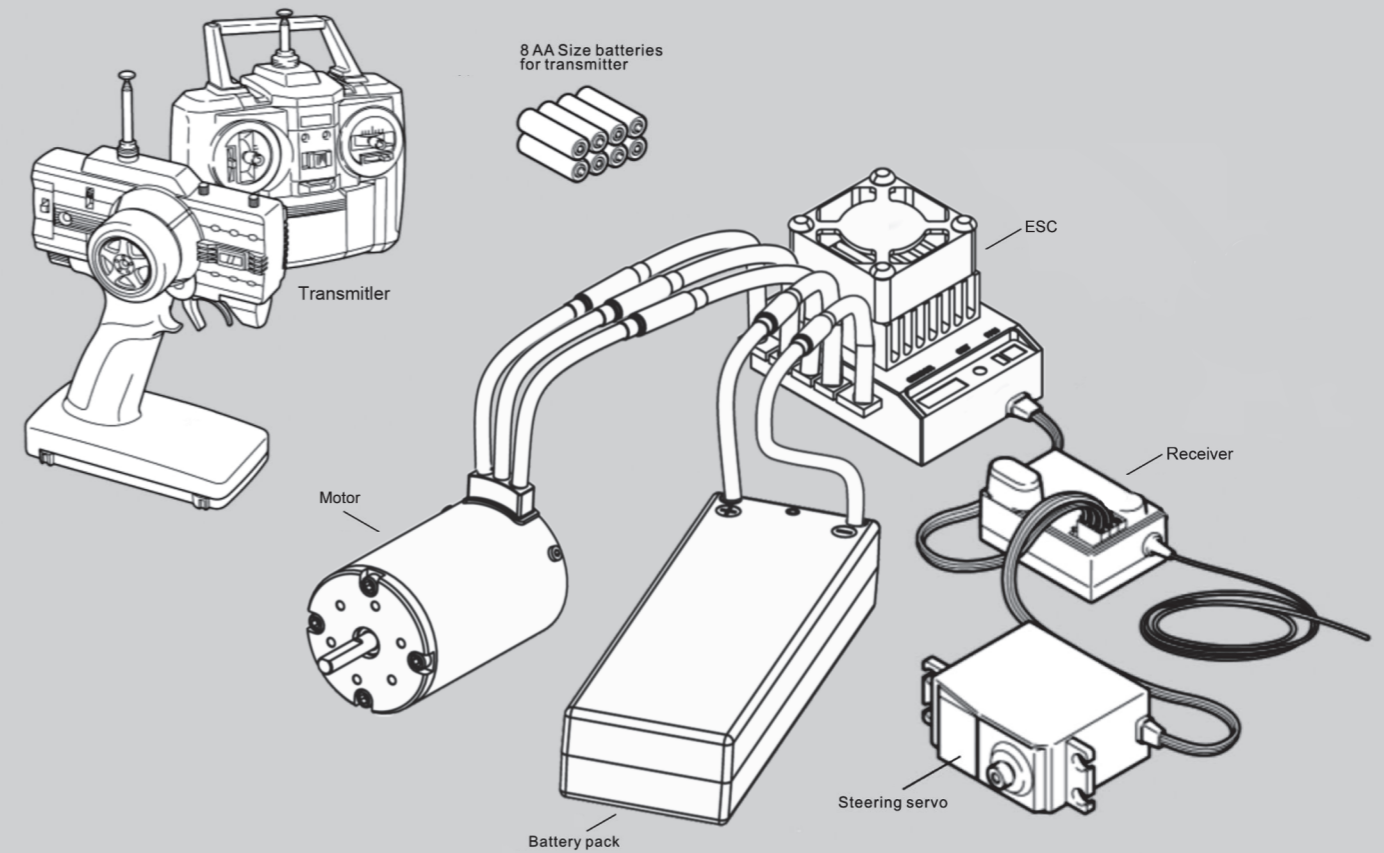
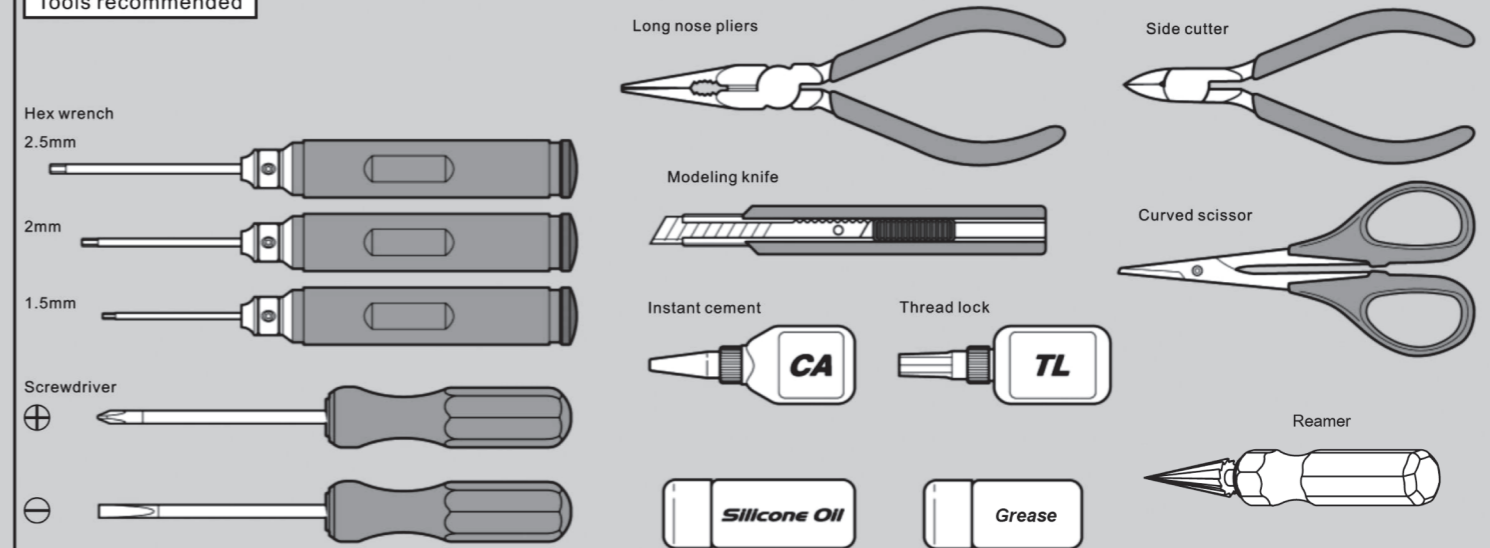


Required

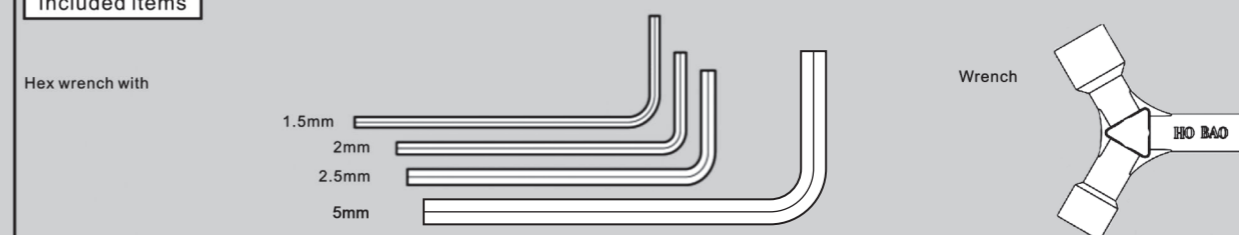
Radio control equipment set



Tools recommended



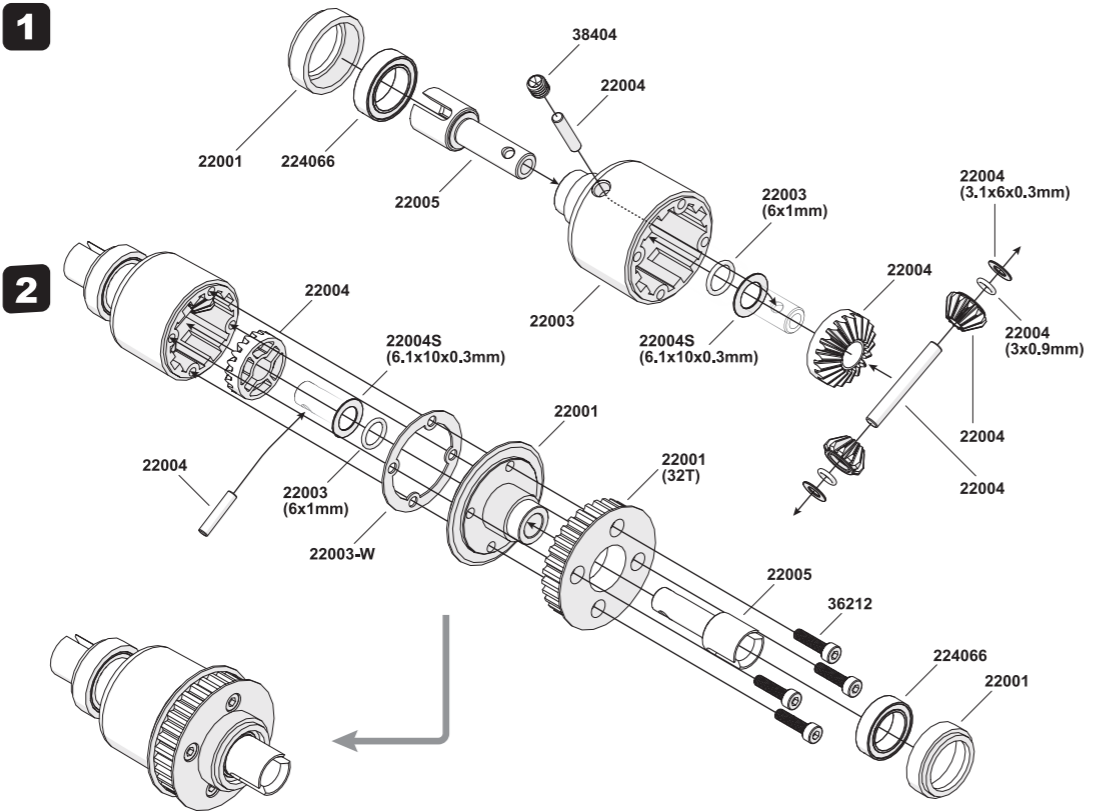
Included items



1.

Front Differential Gear

- 38404 4x4mm x1 Set Screw
- 22004 2.5x11.8mm x2 Pin
- 22004 3x21.8mm x1 Pin
- 224066 10x15x4mm x2 Ball Bearing
- 22004S 6.1x10x0.3mm x2 Washer
- 22004 3.1x6x0.3mm x2 Washer
- 22004 3x0.9mm x2 O-ring
- 22003 6x1mm x1 O-ring
- 36212 2.6x12mm x4 Cap Head Screw

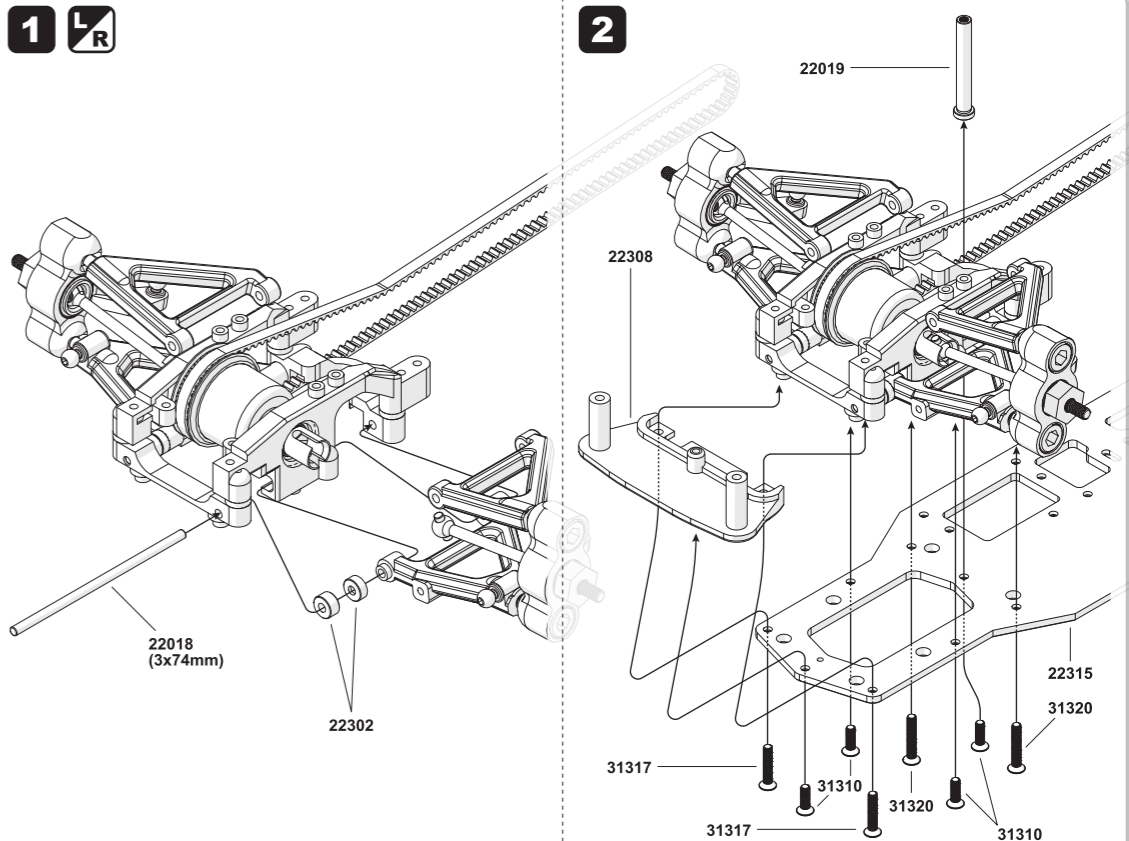


4.

- 22302 x2
- 22302 x2
- 31316 3x16mm x2 F/H Screw
- 31310 3x10mm x4 F/H Screw
- 31317 3x17mm x2 F/H Screw
- 31320 3x20mm x2 F/H Screw

Front Suspension

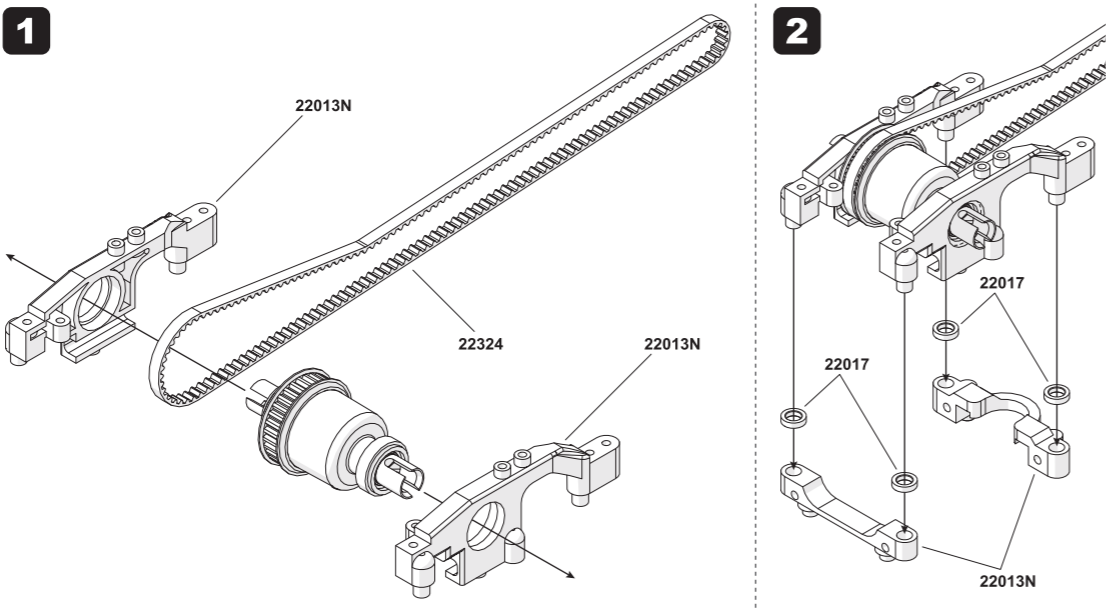
1 L R



2.

Front Bulkhead

- 22017 5.1x8x2mm x4 Alum. Collar

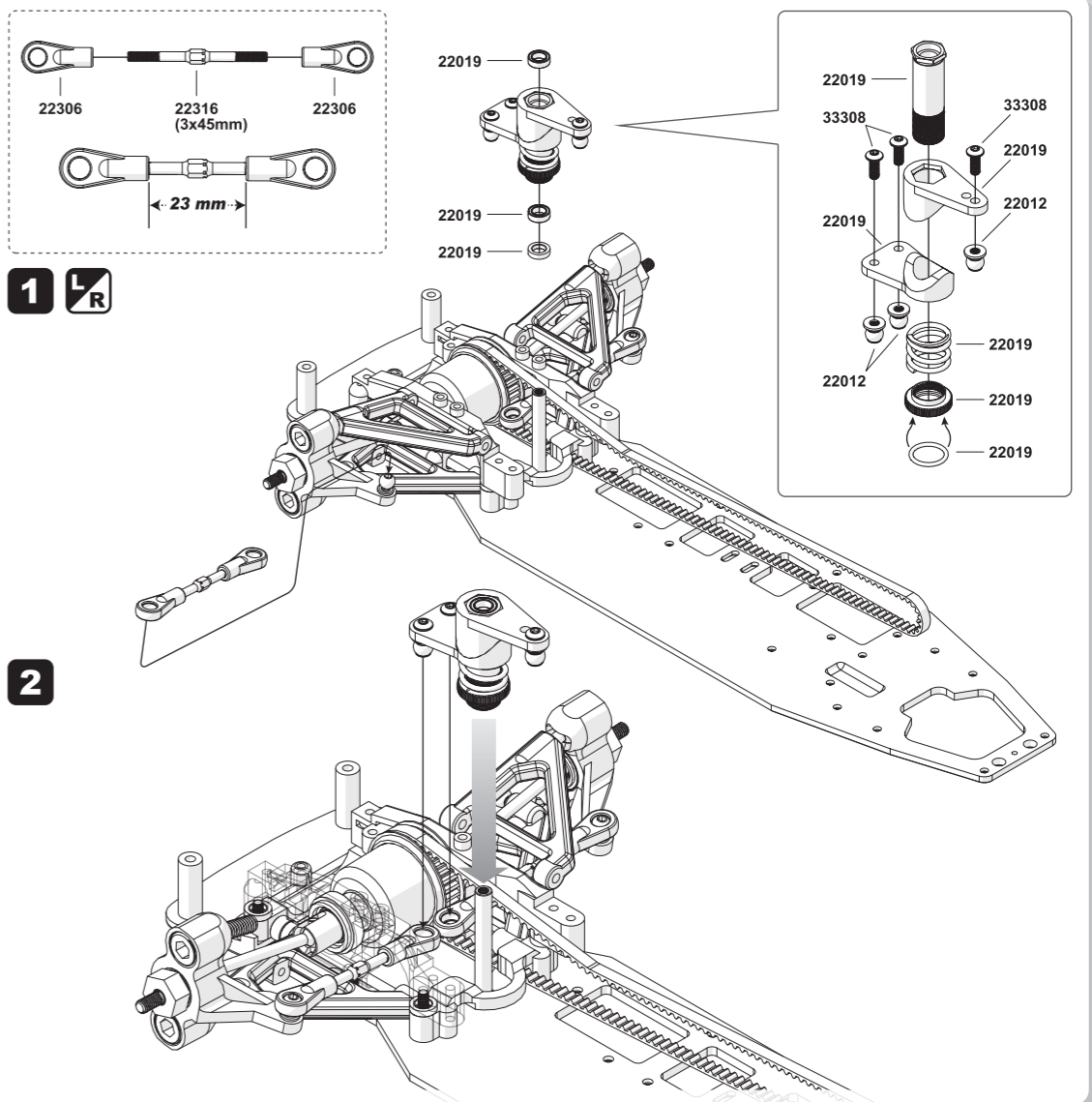


5.

- 33308 3x8mm x3 B/H Screw
- 22012 5.8mm x3 Steel Ball
- 22019 10x1.3mm x1 O-ring
- 22019 5x8x2.5mm x2 Ball Bearing
- 22019 5.1x8x2mm x1 Alum. Collar

Servo Saver

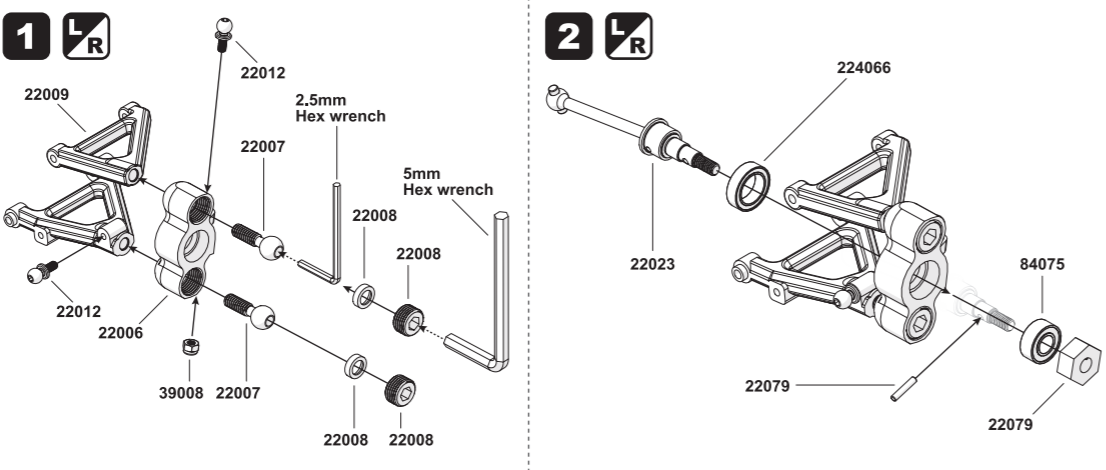
1 L R



3.

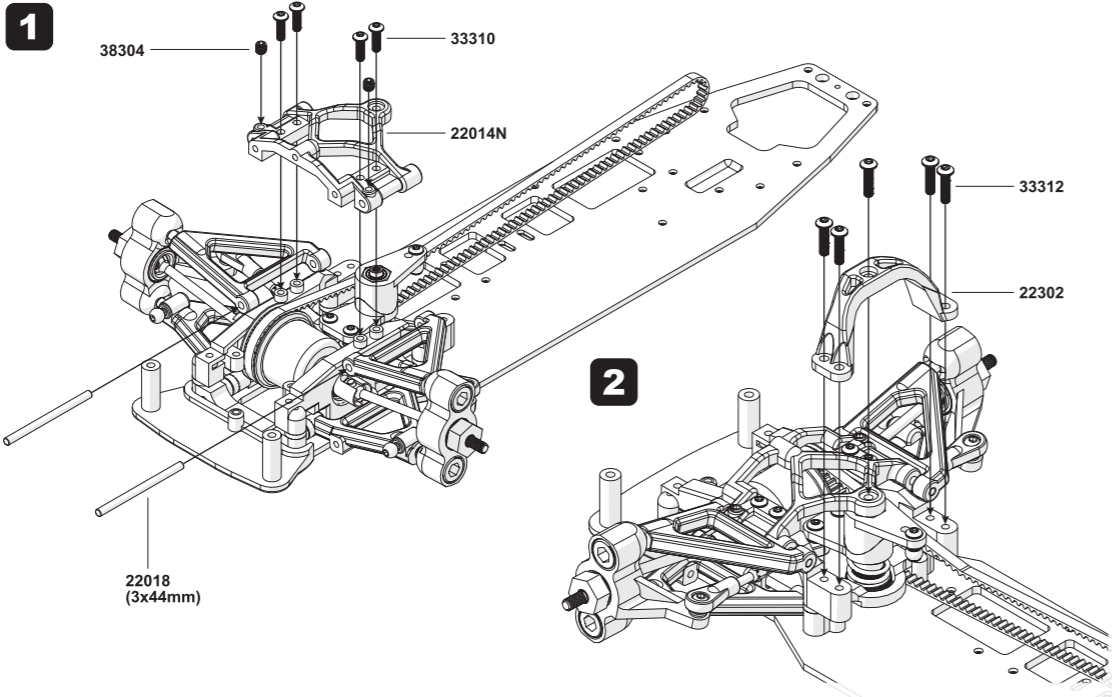
Front Pivot Ball and Arm with CVA Joints

- 22012 5.8mm x4 Ball Connector
- 39008 Nylon Nut M3 x2
- 22007 Pillow Ball x4
- 22008 x4
- 22008 8mm x4 Pillow Ball Nut
- 22079 2x9.8mm x2 Shaft
- 224066 10x15x4mm x2 Ball Bearing
- 84075 6x13x5mm x2 Ball Bearing



6.

Servo Saver Top Support



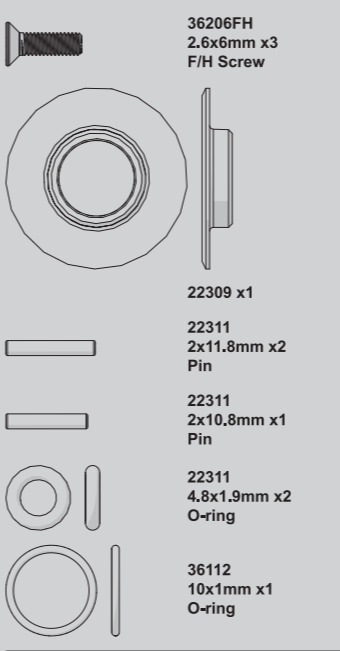
1

2

- 33310 3x10mm x4 B/H Screw
- 38304 3x4mm x2 Set Screw
- 22018 3x44mm x1 Shaft
- 33312 3x12mm x5 B/H Screw

9.

Transmission Gears and Drive Shaft



1

2

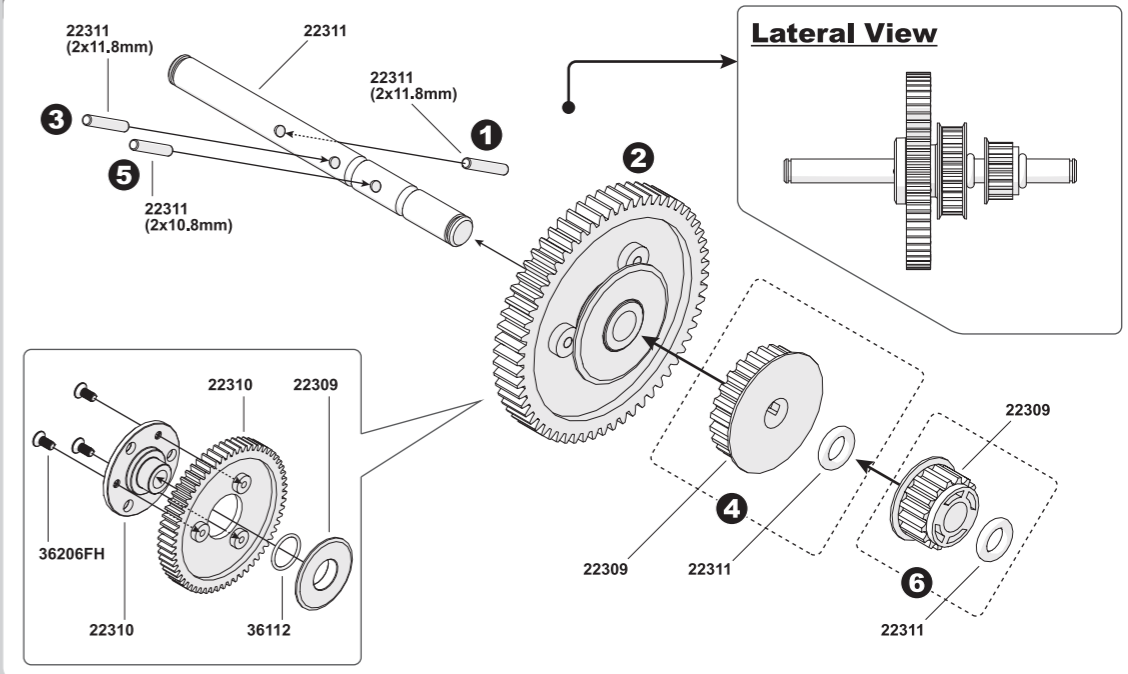
3

4

5

6

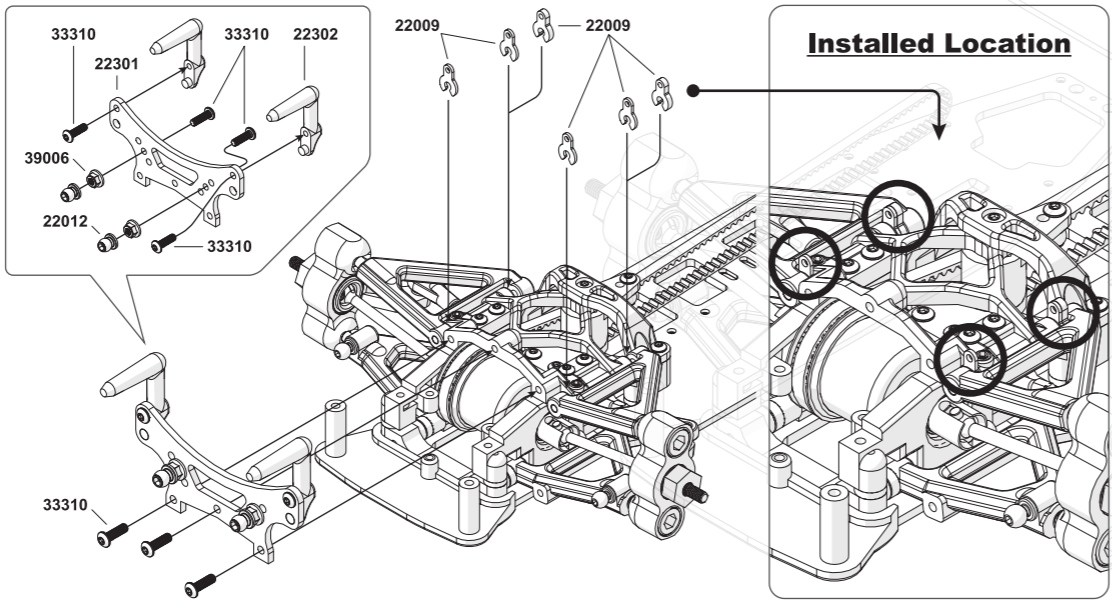
- 36206FH 2.6x6mm x3 F/H Screw
- 22309 x1
- 22311 2x11.8mm x2 Pin
- 22311 2x10.8mm x1 Pin
- 22311 4.8x1.9mm x2 O-ring
- 36112 10x1mm x1 O-ring



Lateral View

7.

Front Shock Tower



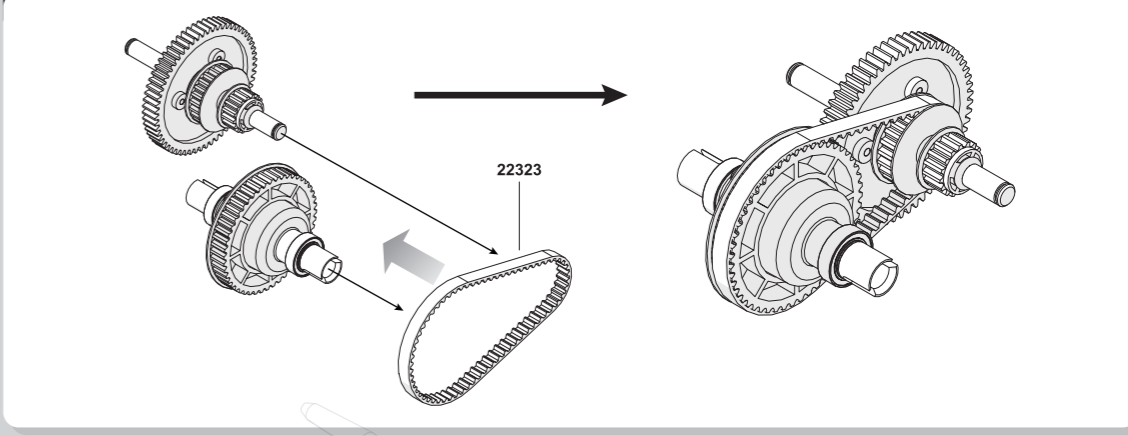
1

Installed Location

- 33310 3x10mm x7 B/H Screw
- 39006 Flange Nut M3 x2
- 22012 5.8mm x2 Steel Ball

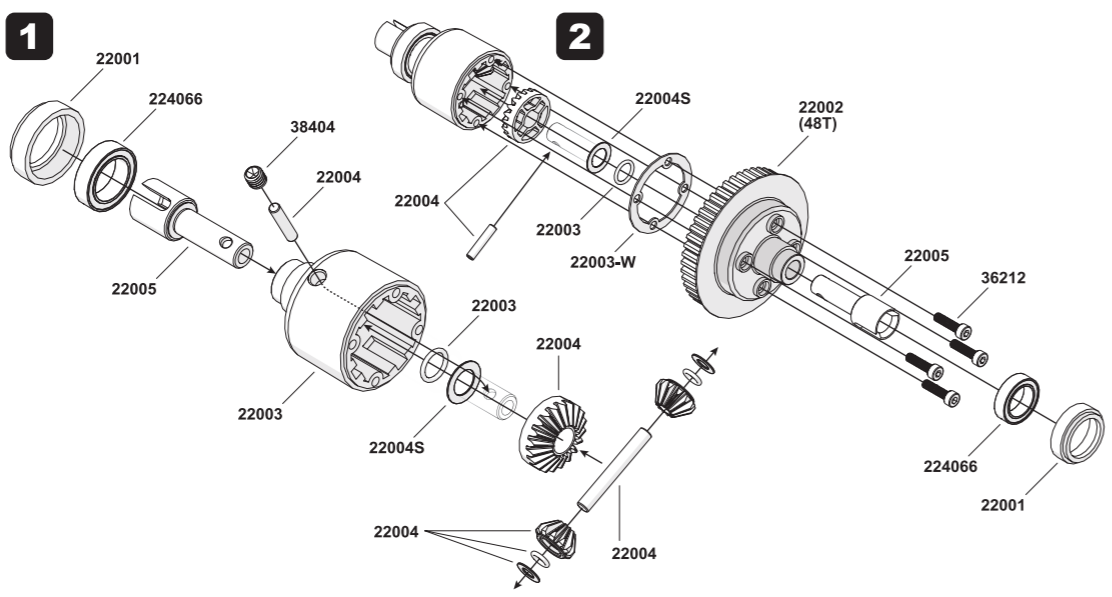
10.

Rear Differential Gear and Drive Belt



8.

Rear Differential Gear



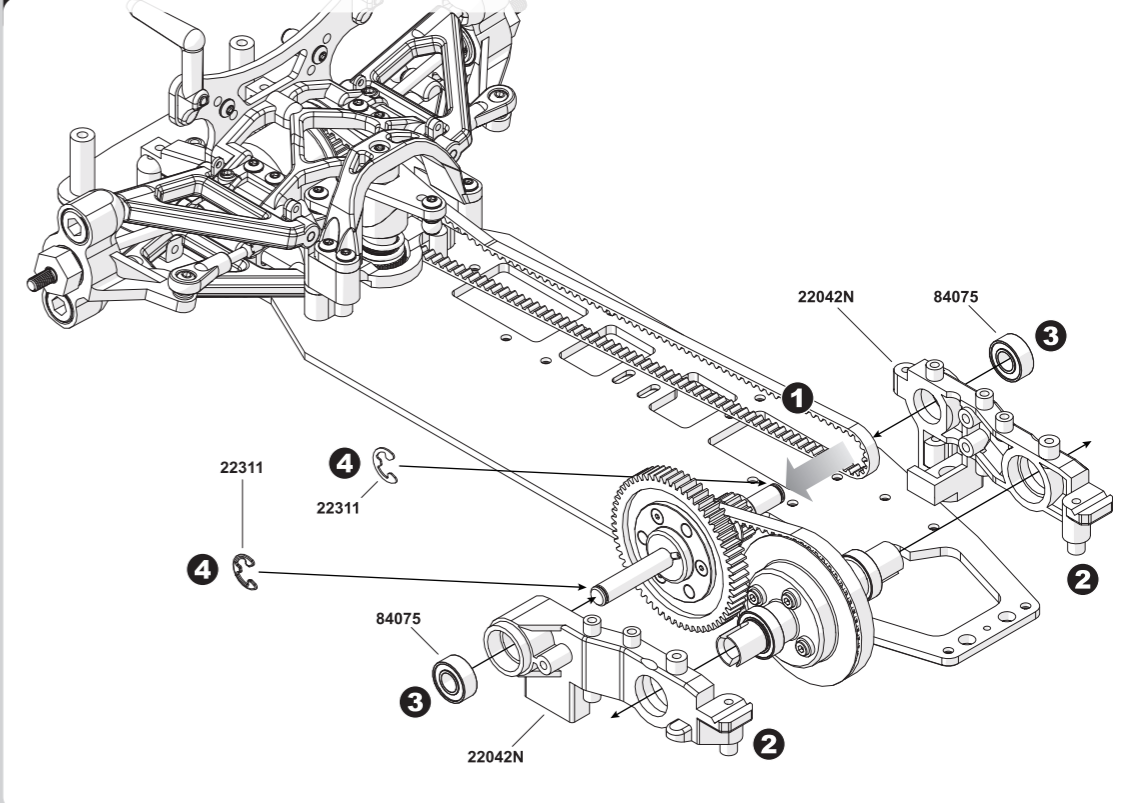
1

2

- 38404 4x4mm x1 Set Screw
- 22004 2.5x11.8mm x2 Pin
- 22004 3x21.8mm x1 Pin
- 224066 10x15x4mm x2 Ball Bearing
- 22004 6.1x10x0.3mm x2 Washer
- 22004 3.1x6x0.3mm x2 Washer
- 22004 3x0.9mm x2 O-ring
- 22004 6x1mm x1 O-ring
- 36212 2.6x12mm x4 Cap Head Screw

11.

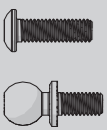
Rear Bulkhead - 1



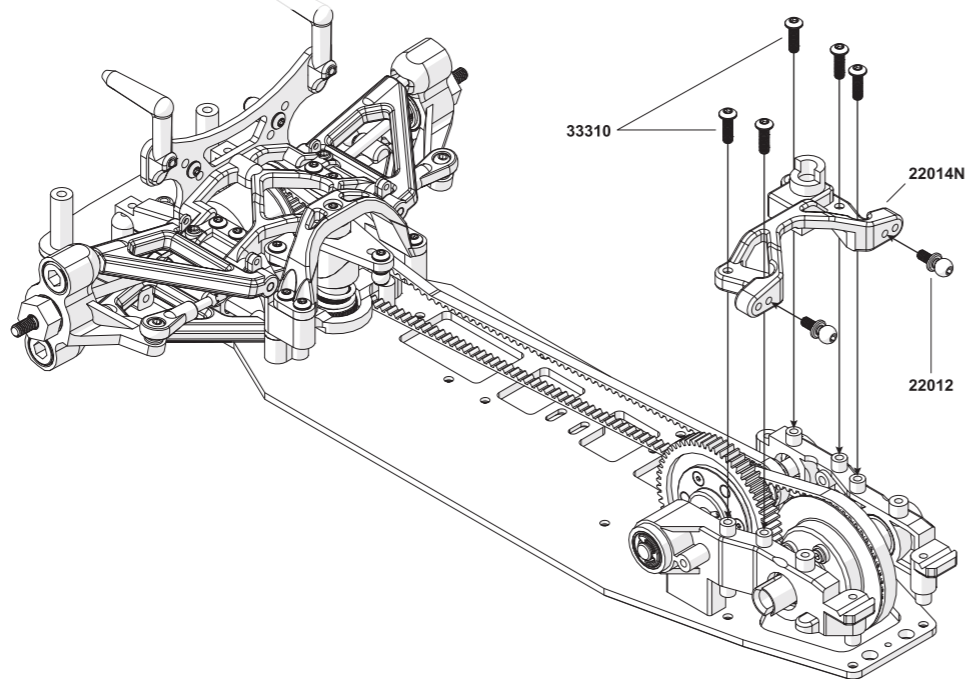
- 84075 6x13x5mm x2 Ball Bearing
- 22311 5x0.6mm x2 E-clip

12.

Rear Bulkhead - 2

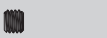


- 33310
3x10mm x5
B/H Screw
- 22012
5.8mm x2
Ball Connector



13.

Rear Pivot Balls and Arms with CVA Joints



- 38303
3x2.5mm x2
Set Screw



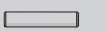
- 22007
Pillow Ball x4



- 22008 x4
Pillow Ball Nut



- 22008
8mm x4
Pillow Ball Nut



- 22079
2x9.8mm x2
Shaft



- 84075
6x13x5mm x2
Ball Bearing



- 224066
10x15x4mm x2
Ball Bearing



- 22012
5.8mm x2
Ball Connector

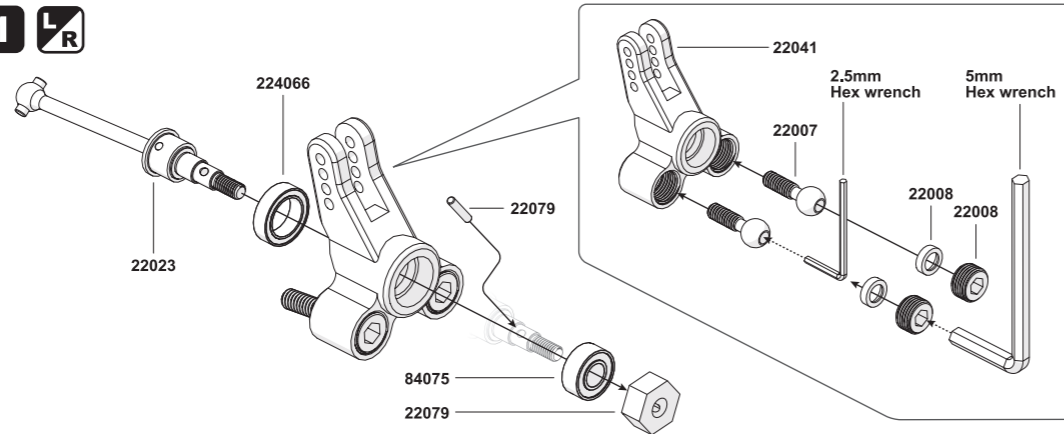


- 38410
4x10mm x4
Set Screw

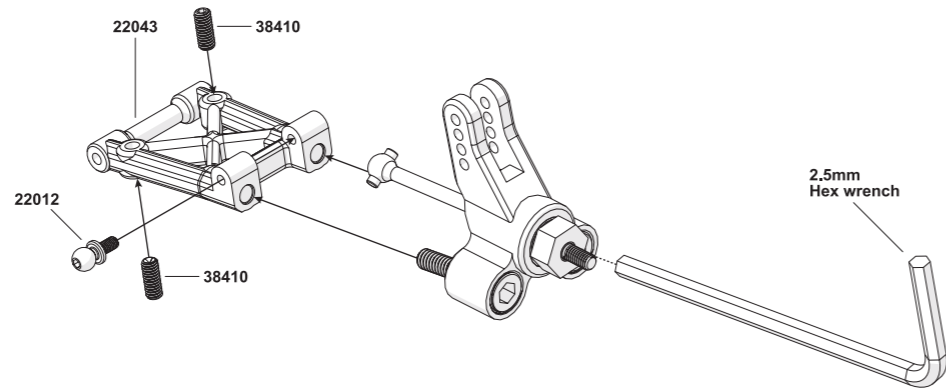


- 22018
3x52mm x2
Shaft

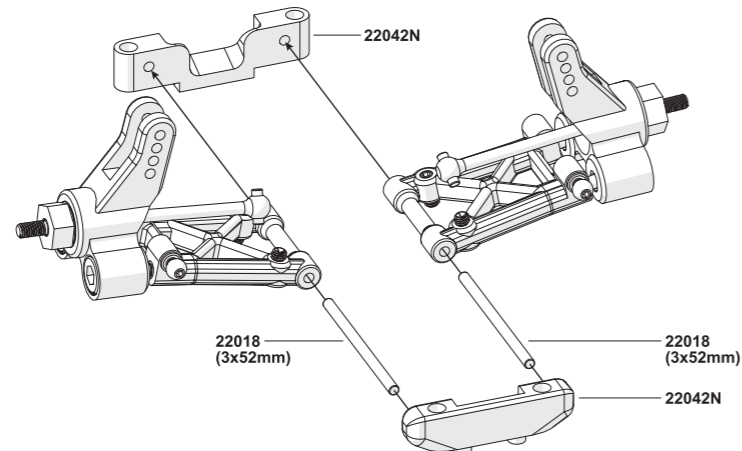
1



2



3



14.

Attaching Rear Lower Arms



- 31310
3x10mm x2
F/H Screw



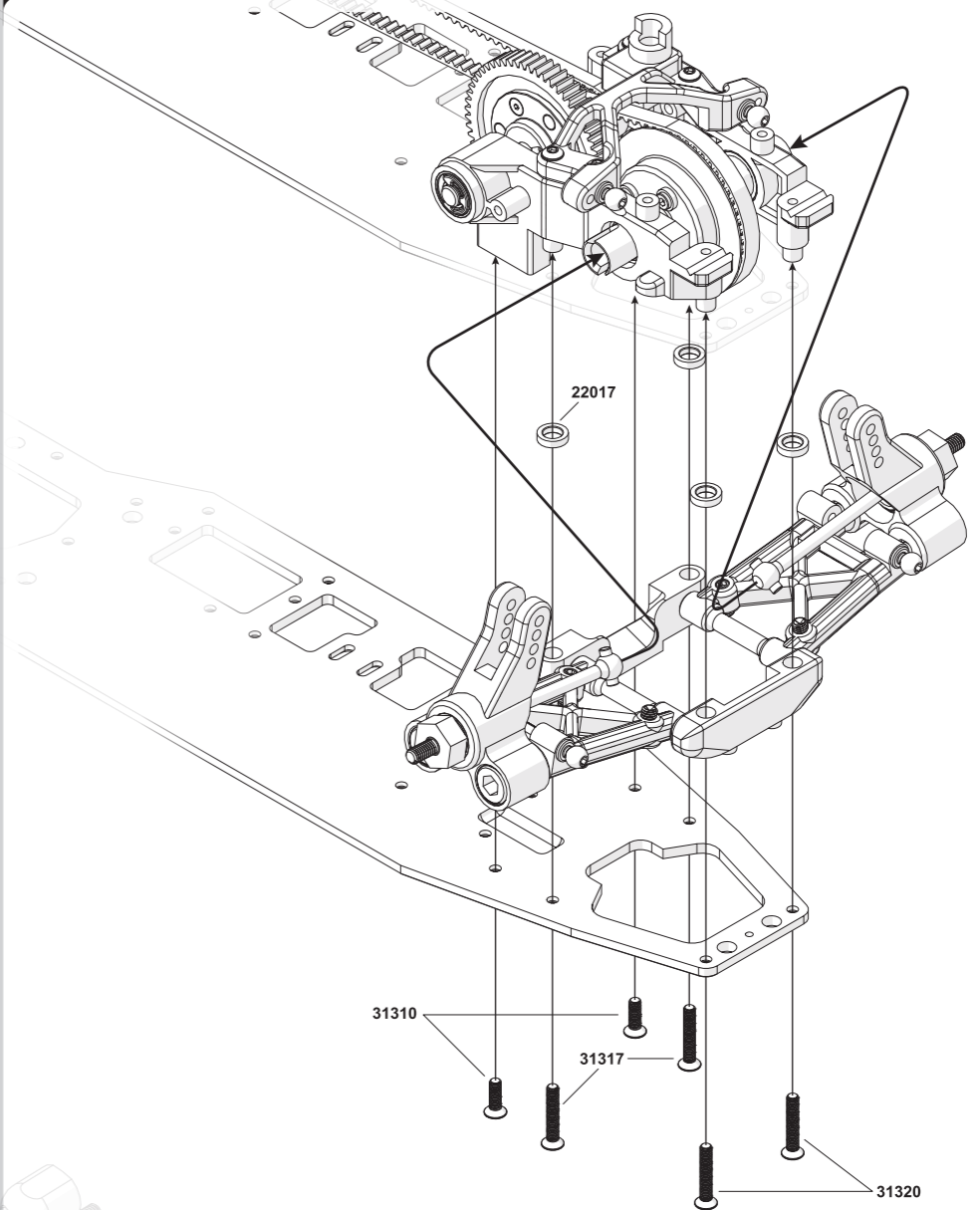
- 31317
3x17mm x2
F/H Screw



- 31320
3x20mm x2
F/H Screw



- 22017
5.1x8x2mm x4
Alum. Collar

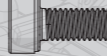


15.

Attaching Rear Upper Arms



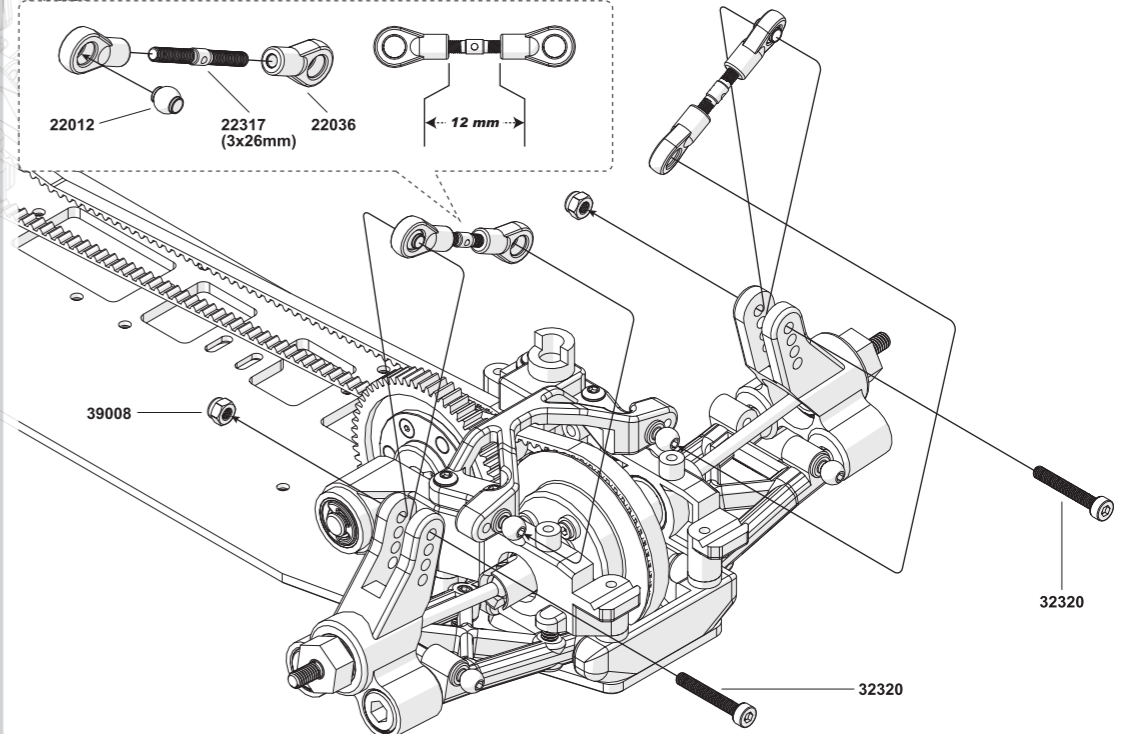
- 22012
5.8mm x2
Ball



- 32320
3x20mm x2
Cap Head Screw



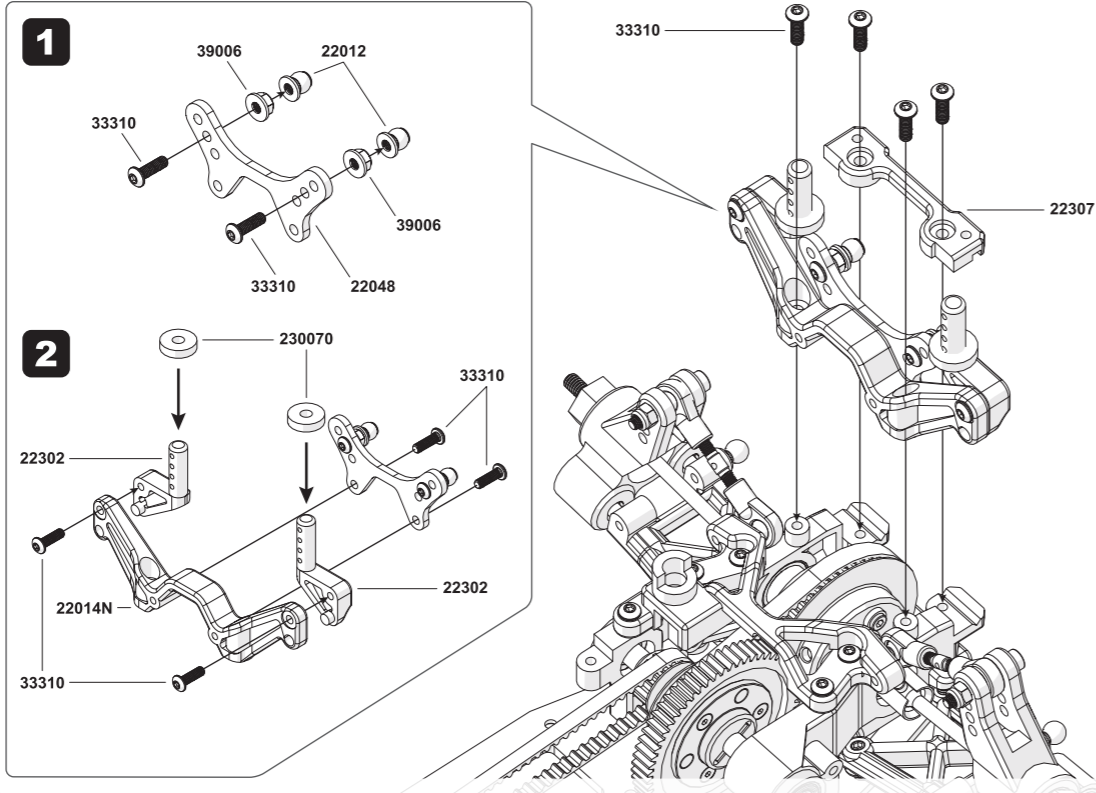
- 39008
Nylon Nut M3 x2



16.








Rear Shock Tower

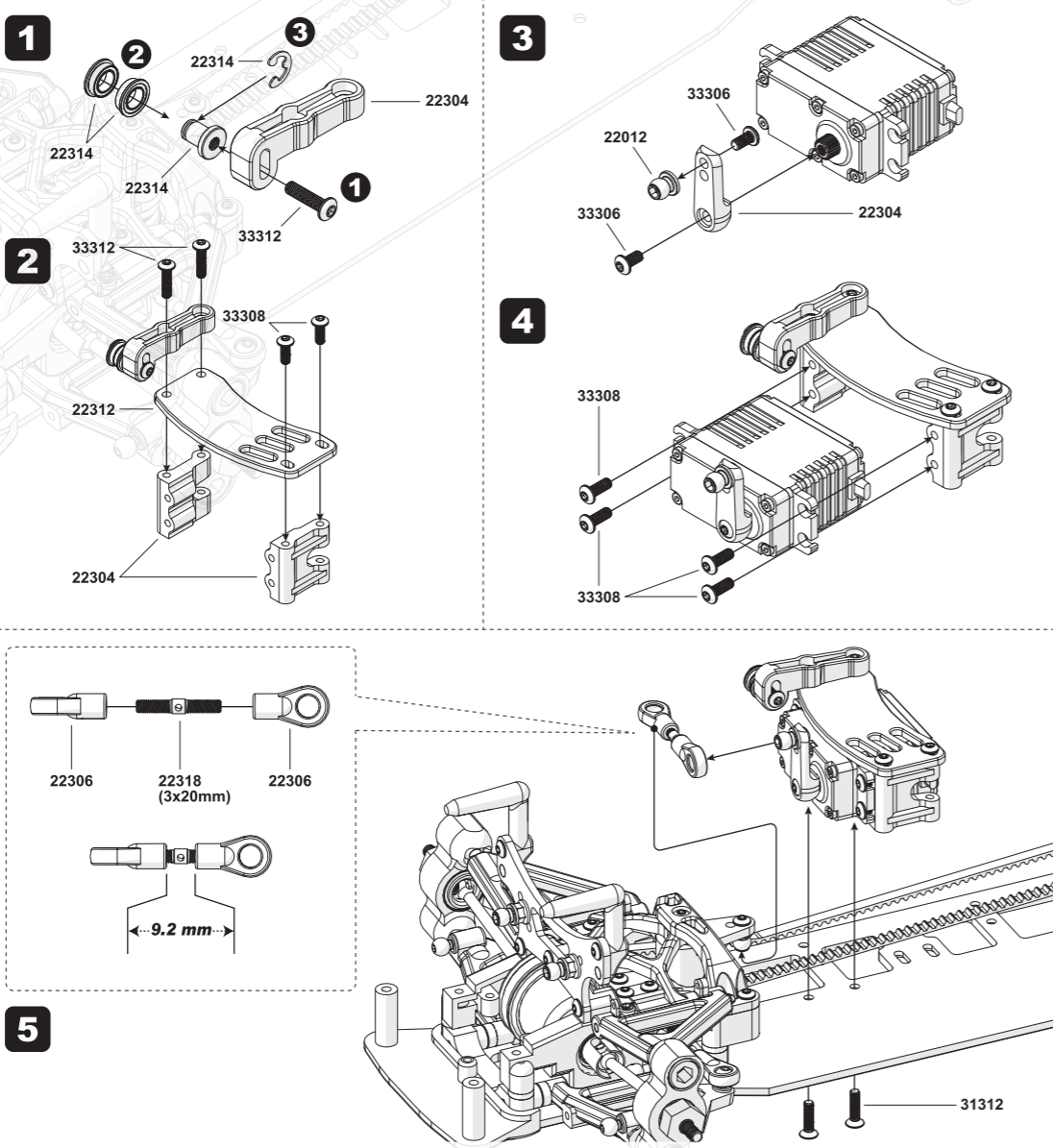
-  22012
5.8mm x2
Steel Ball
-  39006
Flange Nut M3 x2
-  33310
3x10mm x10
B/H Screw



17.

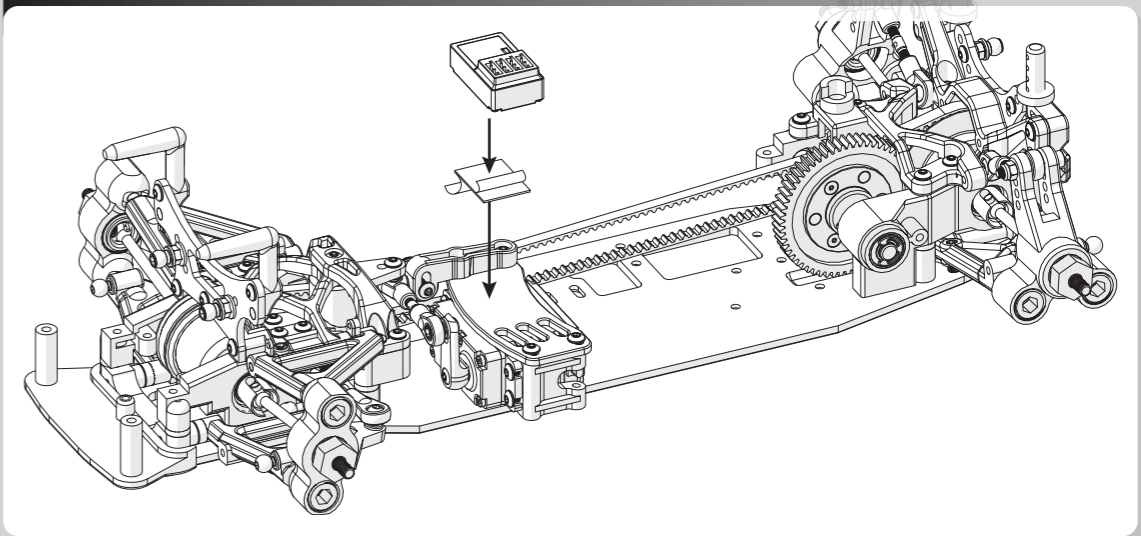
Steering Servo and Mounting Holder

-  22314
5x8x2,5mm x2
Ball Bearing
-  22314
4x0,6mm x1
E-clip
-  33312
3x12mm x3
B/H Screw
-  33308
3x8mm x6
B/H Screw
-  22012
5.8mm x1
Steel Ball
-  33306
3x6mm x2
B/H Screw
-  31312
3x12mm x2
F/H Screw



18.

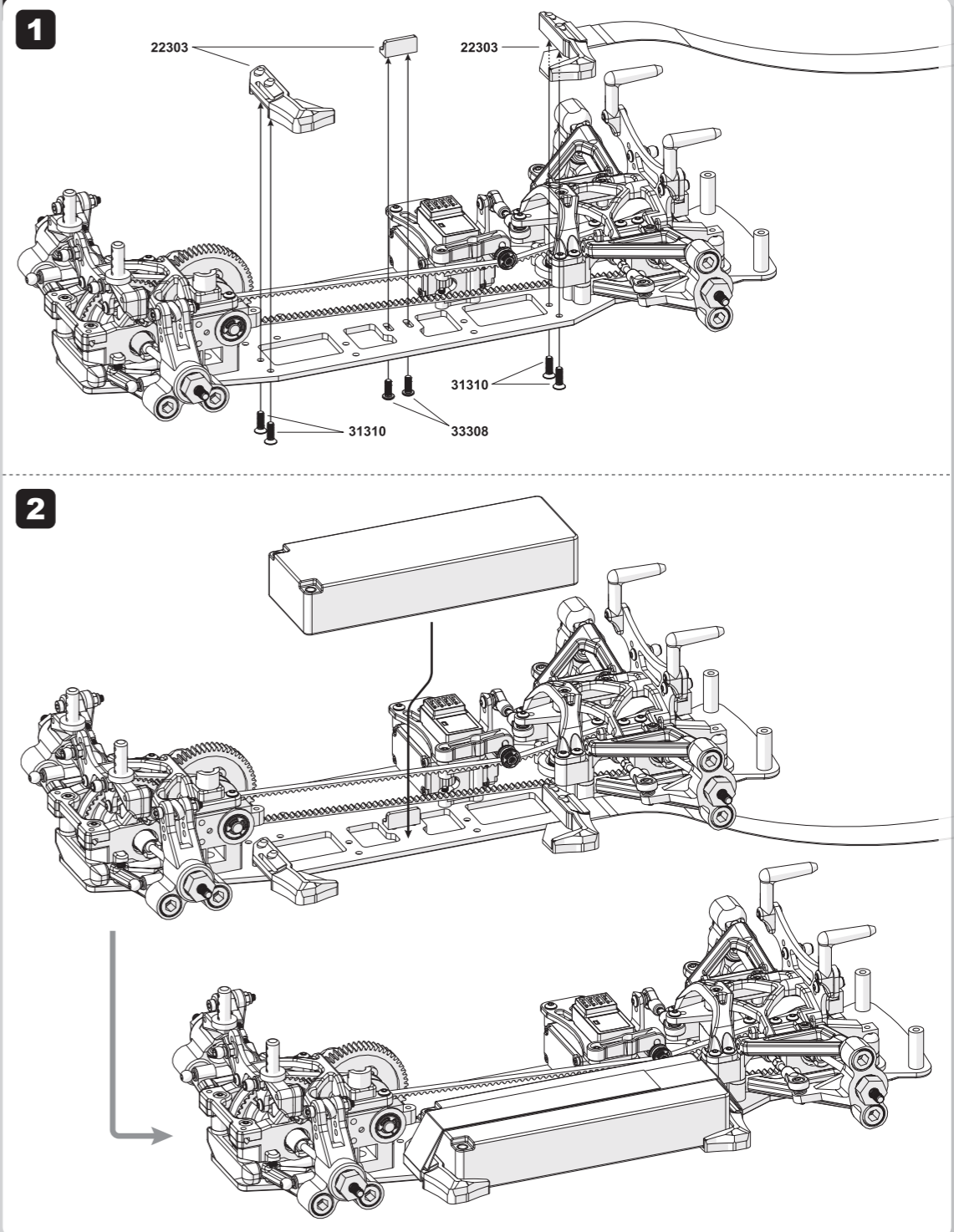
Mounting Receiver



19.

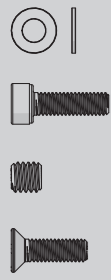
Battery Holder and Blocker with Magic Strip

-  31310
3x10mm x4
F/H Screw
-  33308
3x8mm x2
B/H Screw

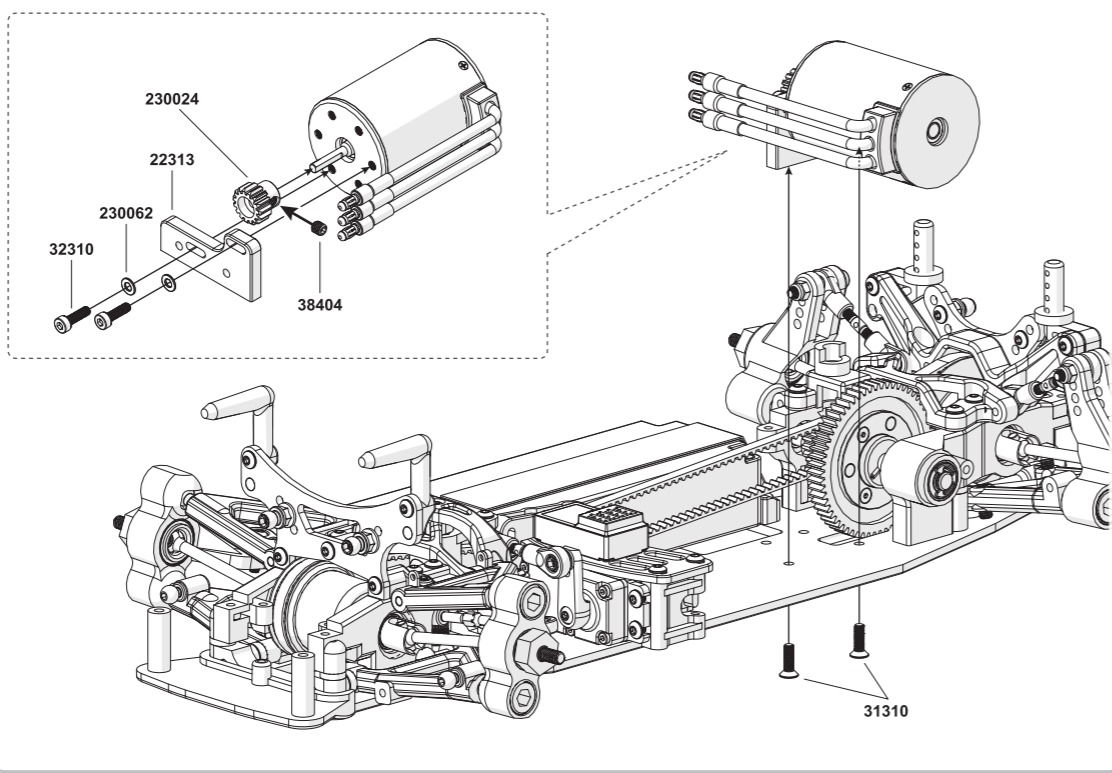


20.

Mounting Motor

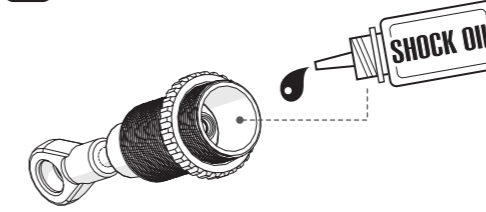


- 230062
3.1x6x0.5mm x2
Washer
- 32310
3x10mm x2
Cap Head Screw
- 38404
4x4mm x1
Set Screw
- 31310
3x10mm x2
F/H Screw

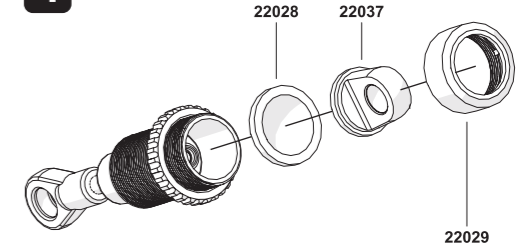


- 22028
2.8x1.9mm x8
O-ring
- 22028
Shock Collar x4
- 22028
Shock Collar x4
- 22028
6.5x0.6mm x4
- 22028
Oil Seal x4

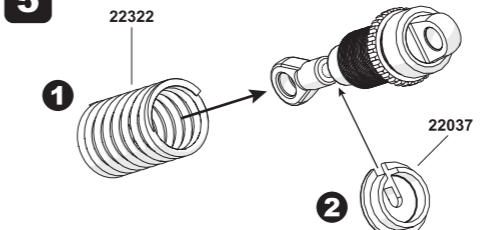
3



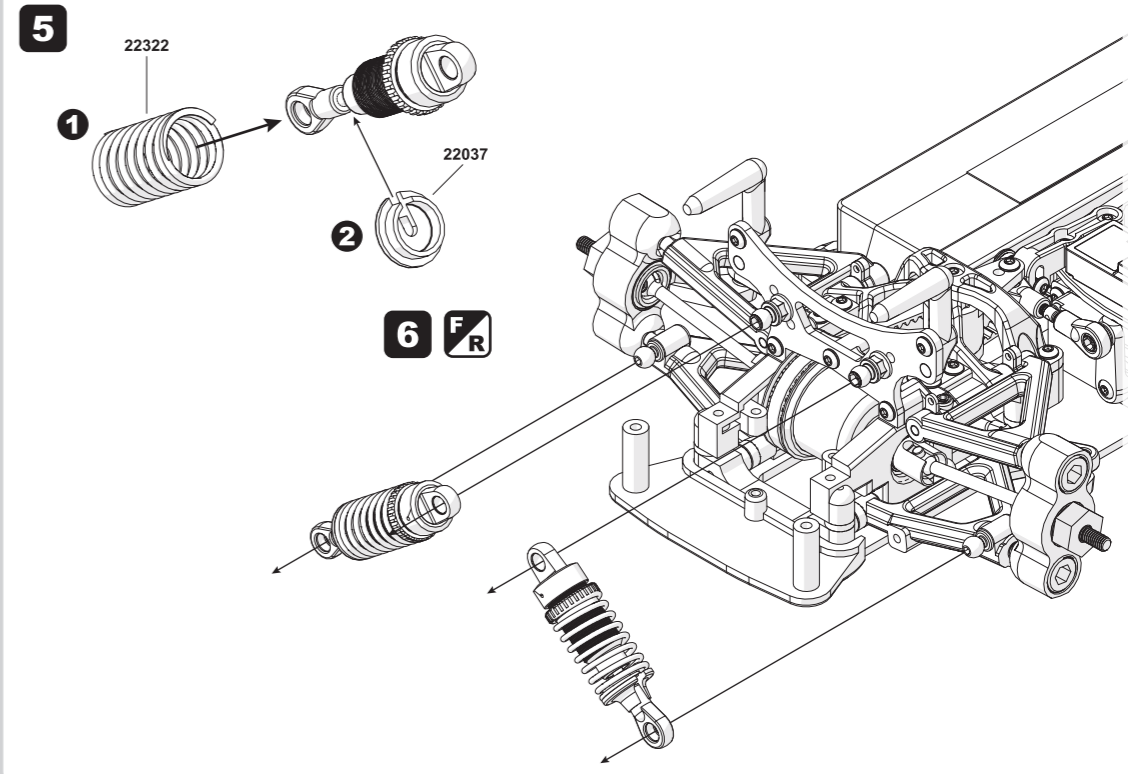
4



5

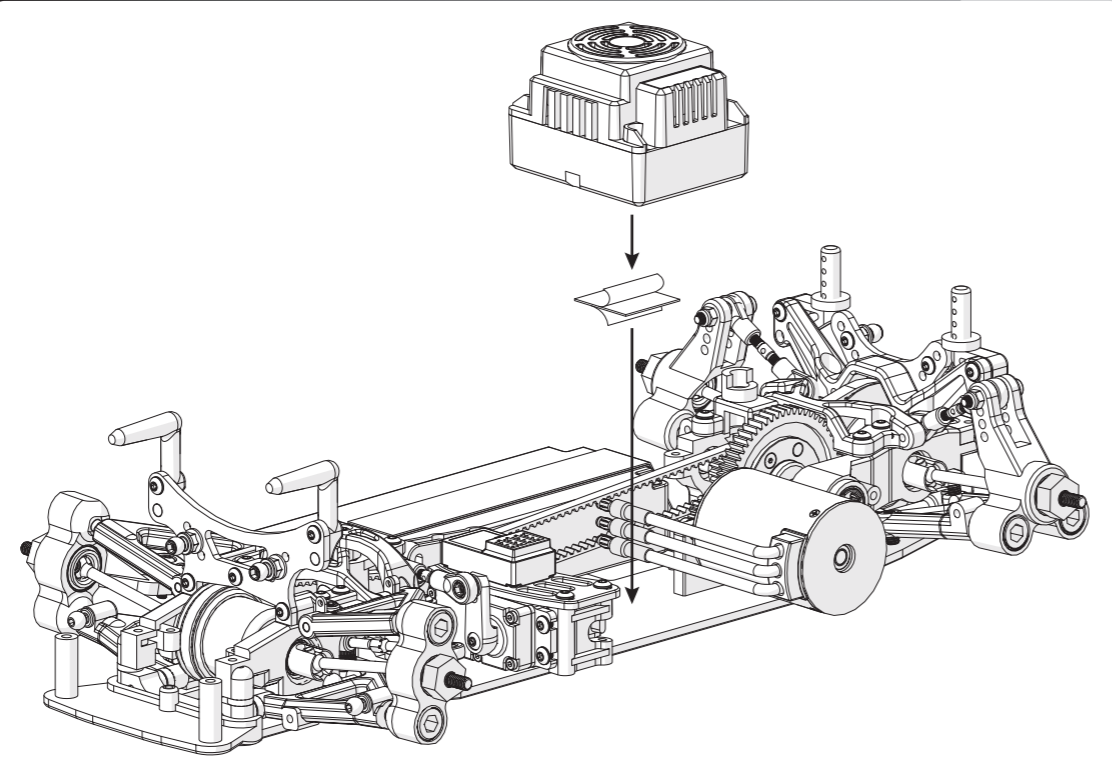


6 **F** **R**

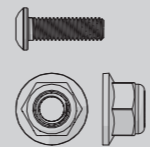


21.

Mounting ESC.

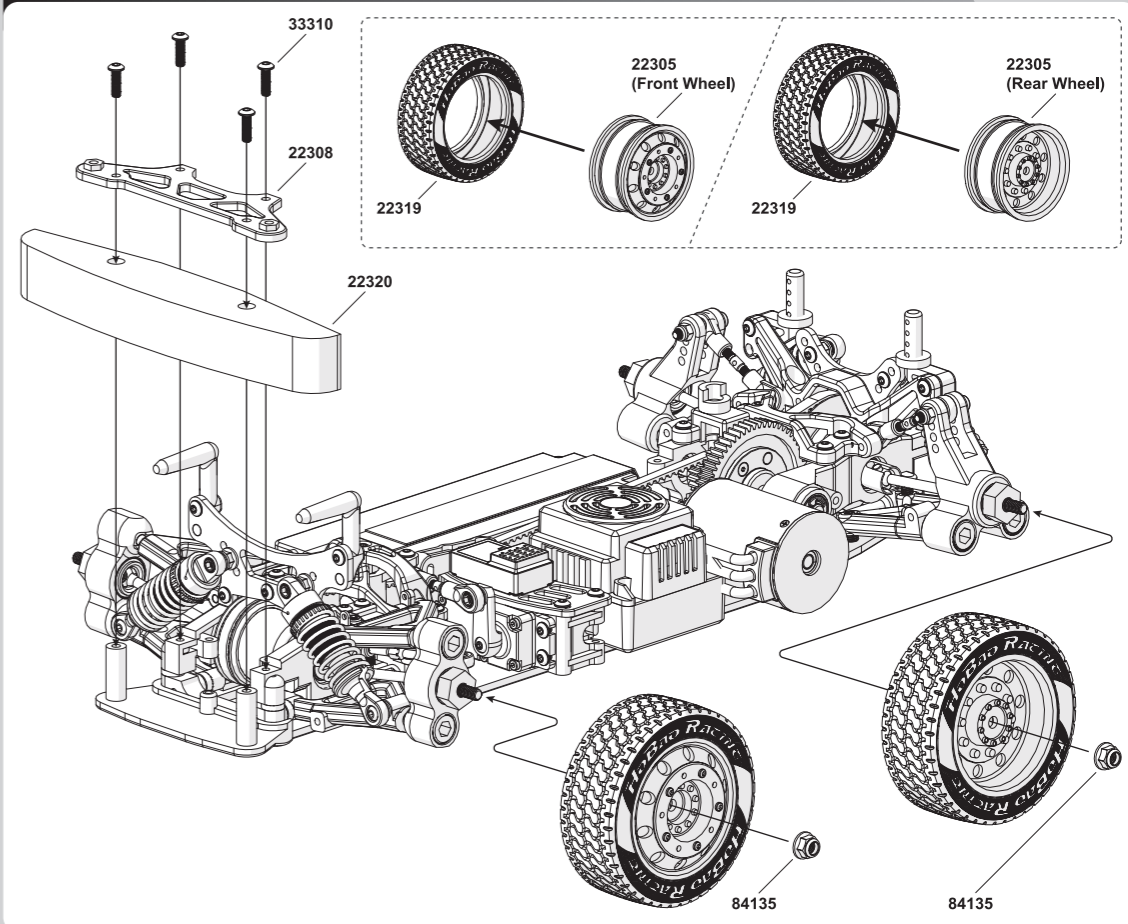


23.



- 33310
3x10mm x4
B/H Screw
- 84135
Flange Nut M4 x4

Front Foam Bumper and Tires with Wheels

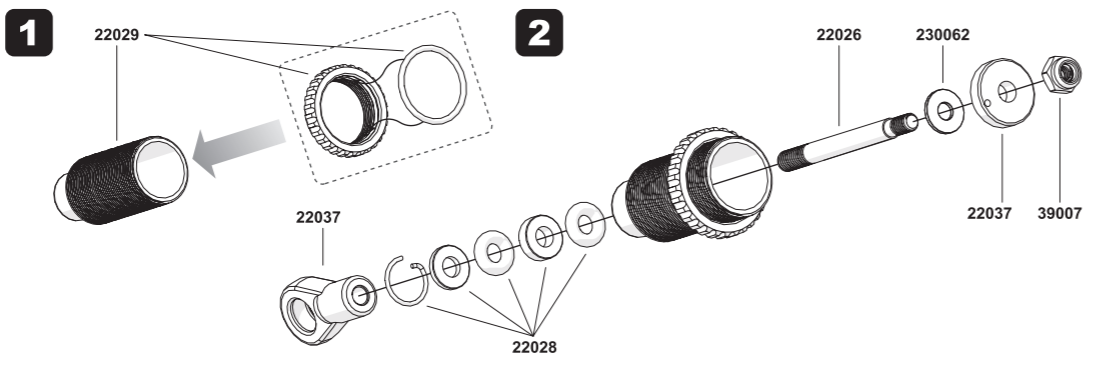


22.

Front / Rear Shock



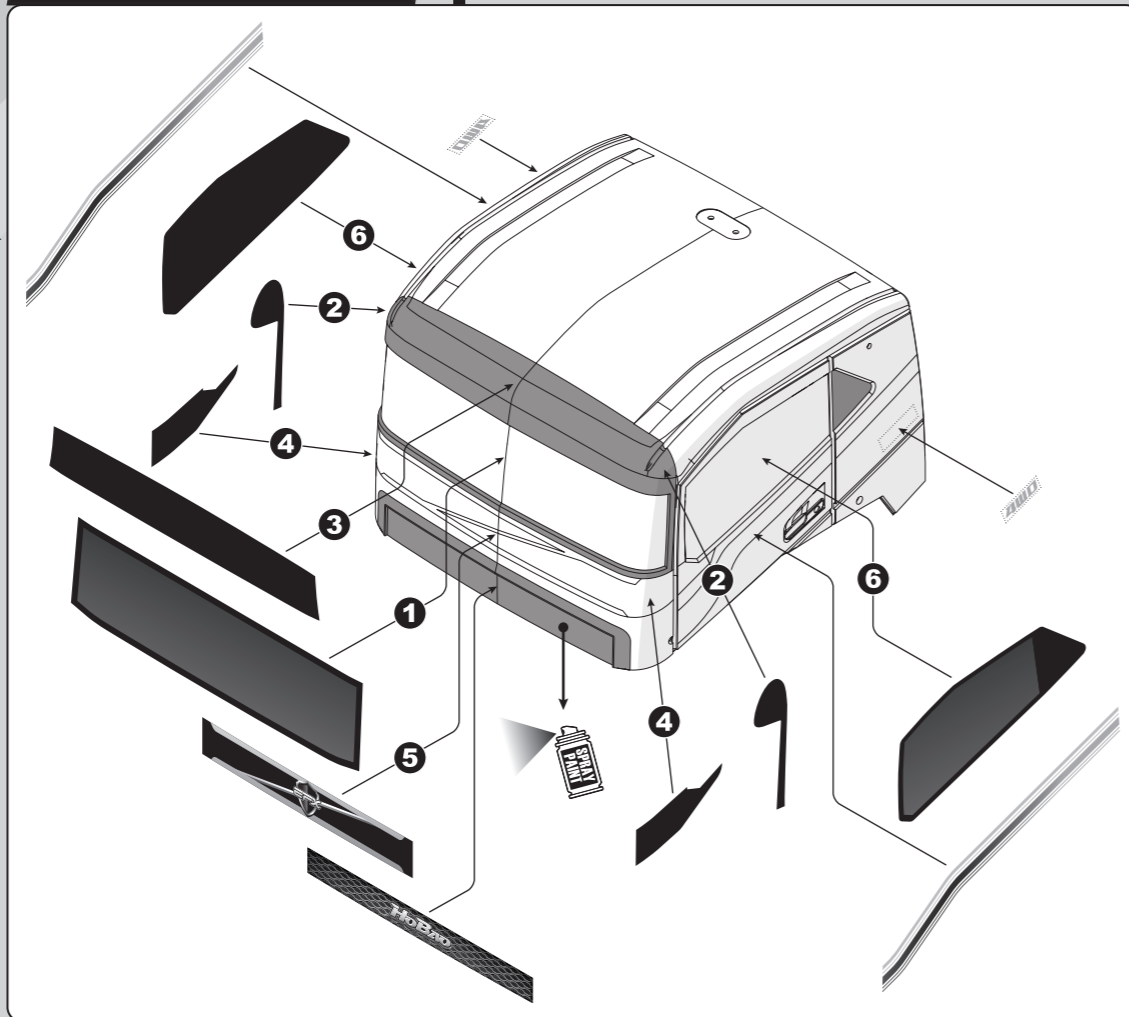
- 22029
12x1mm x4
O-ring
- 39007
Nylon Nut M2.5 x4
- 22037
Shock Piston x4
- 230062
2.6x6.5x0.6mm x4
Washer



01.



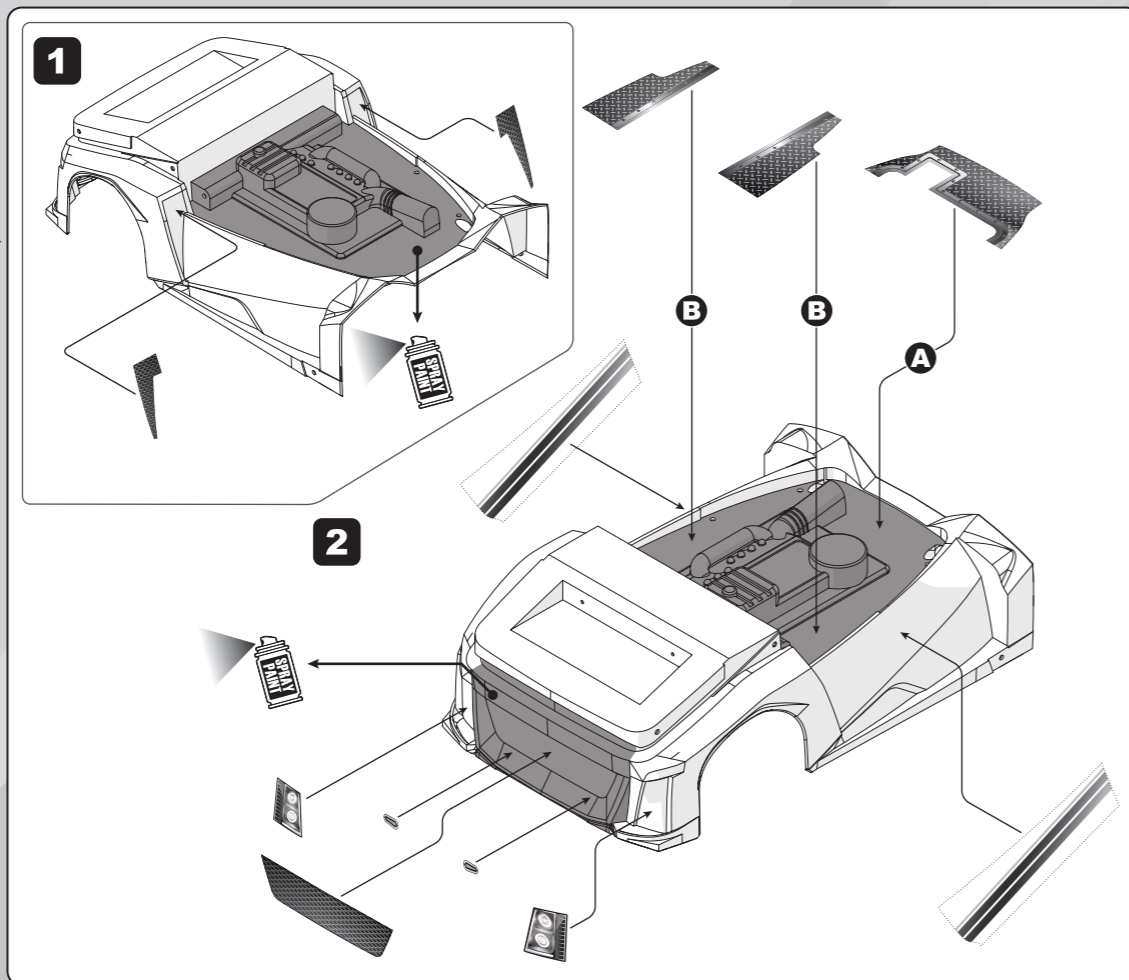
GUN METAL
PS-23



02.



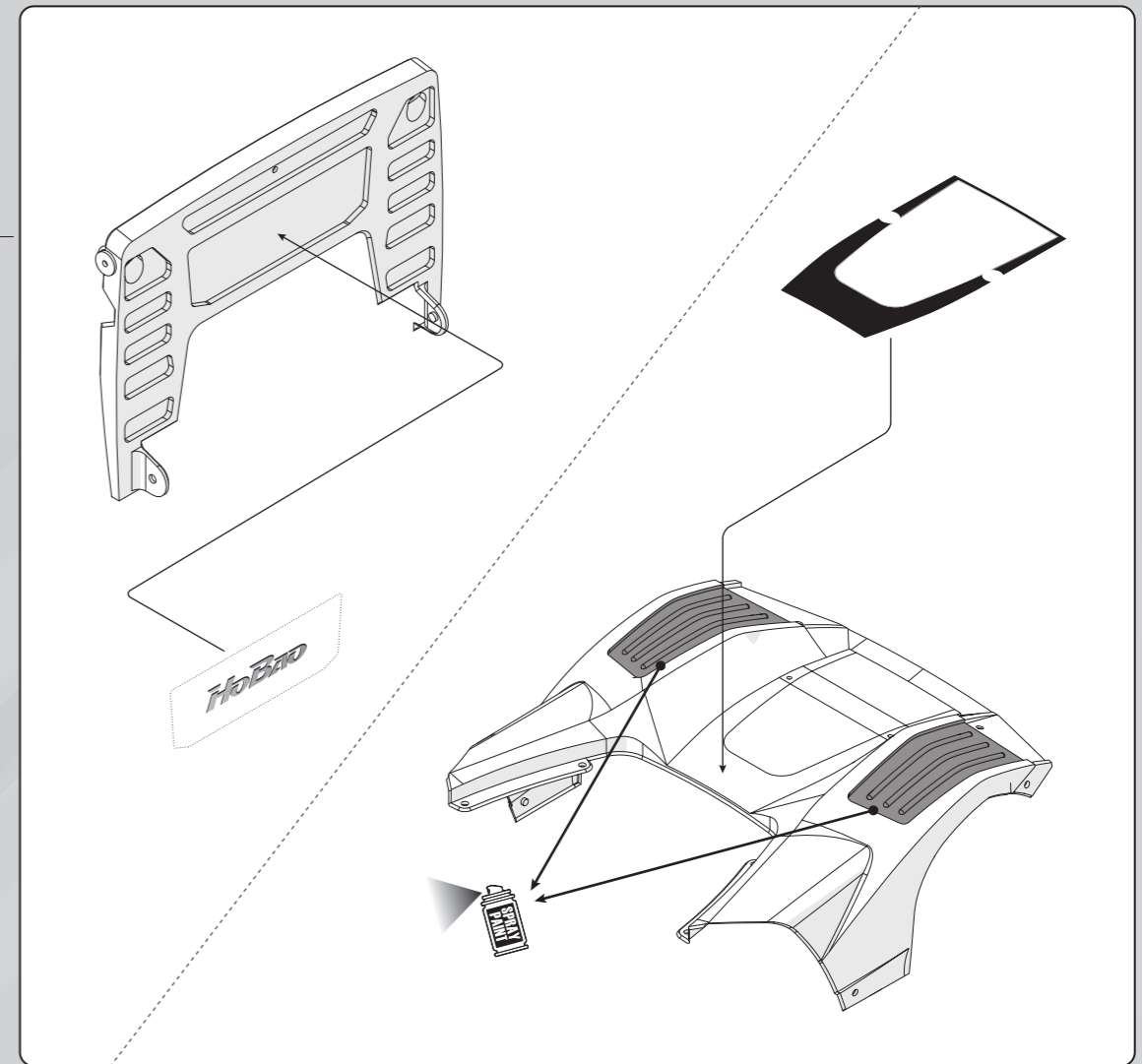
GUN METAL
PS-23



03.



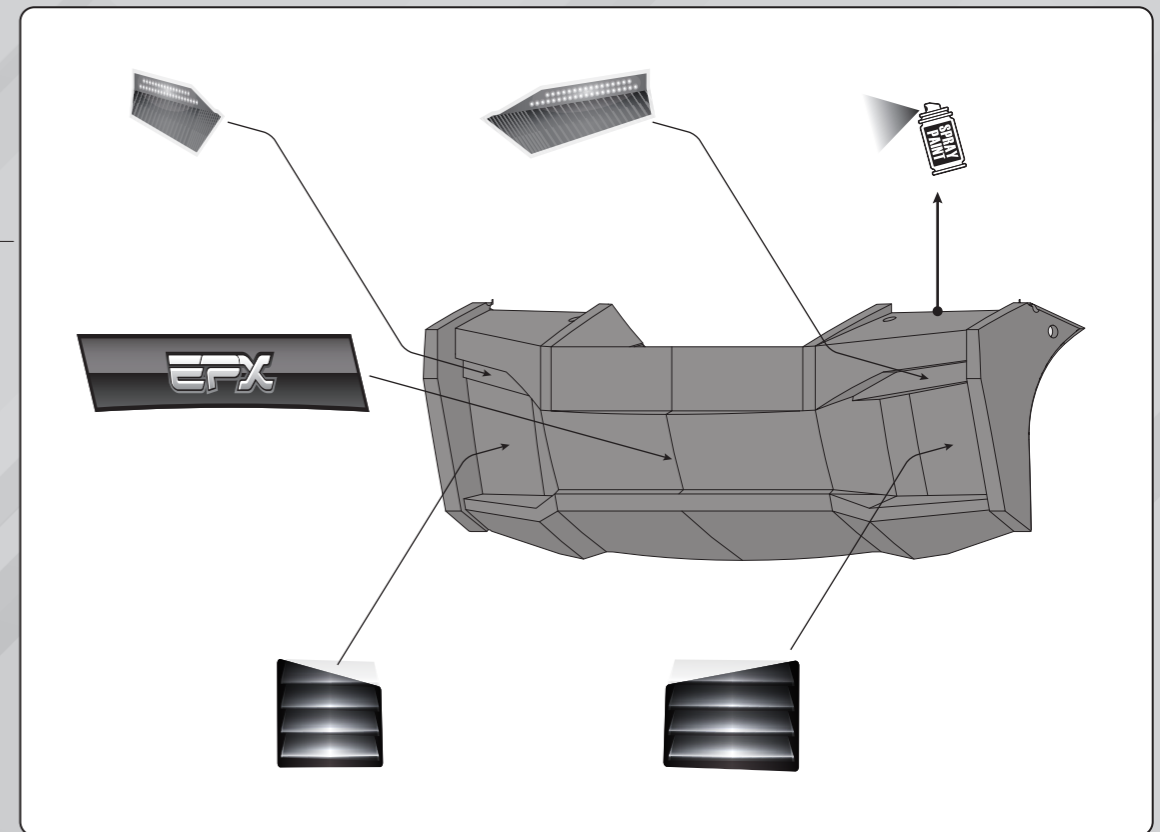
GUN METAL
PS-23



04.





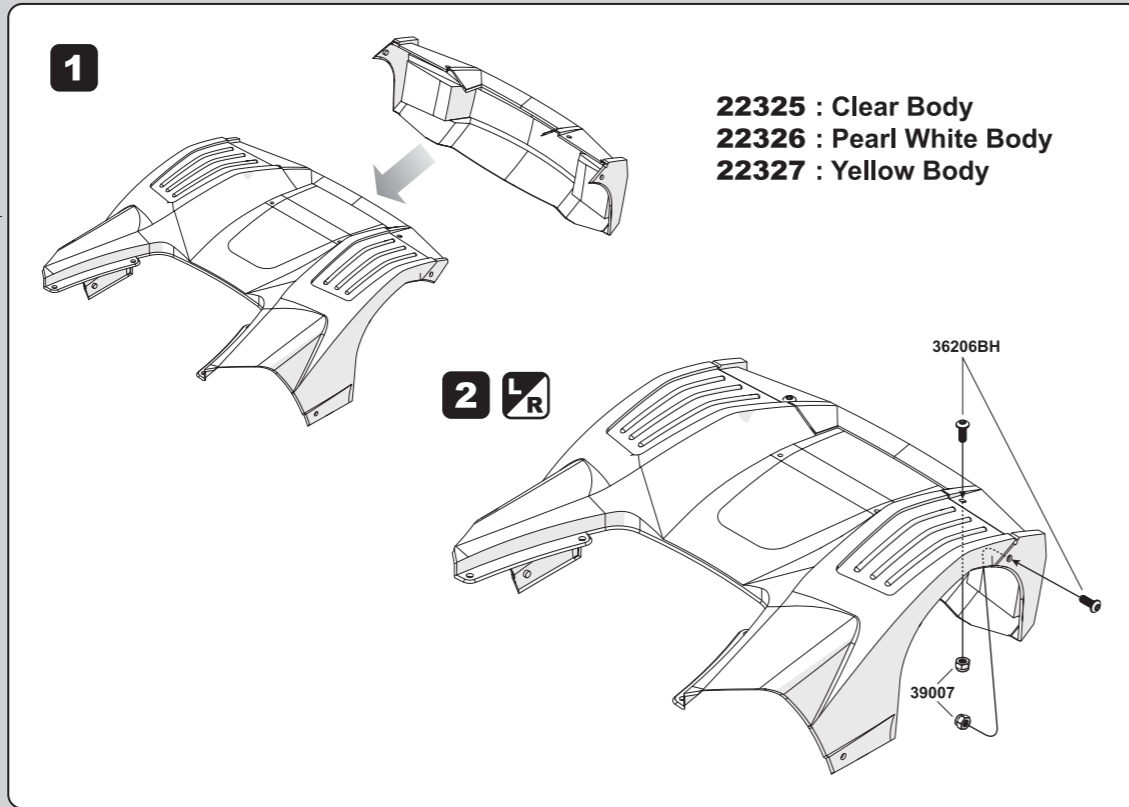
GUN METAL
PS-23





I BODY ASSEMBLY I

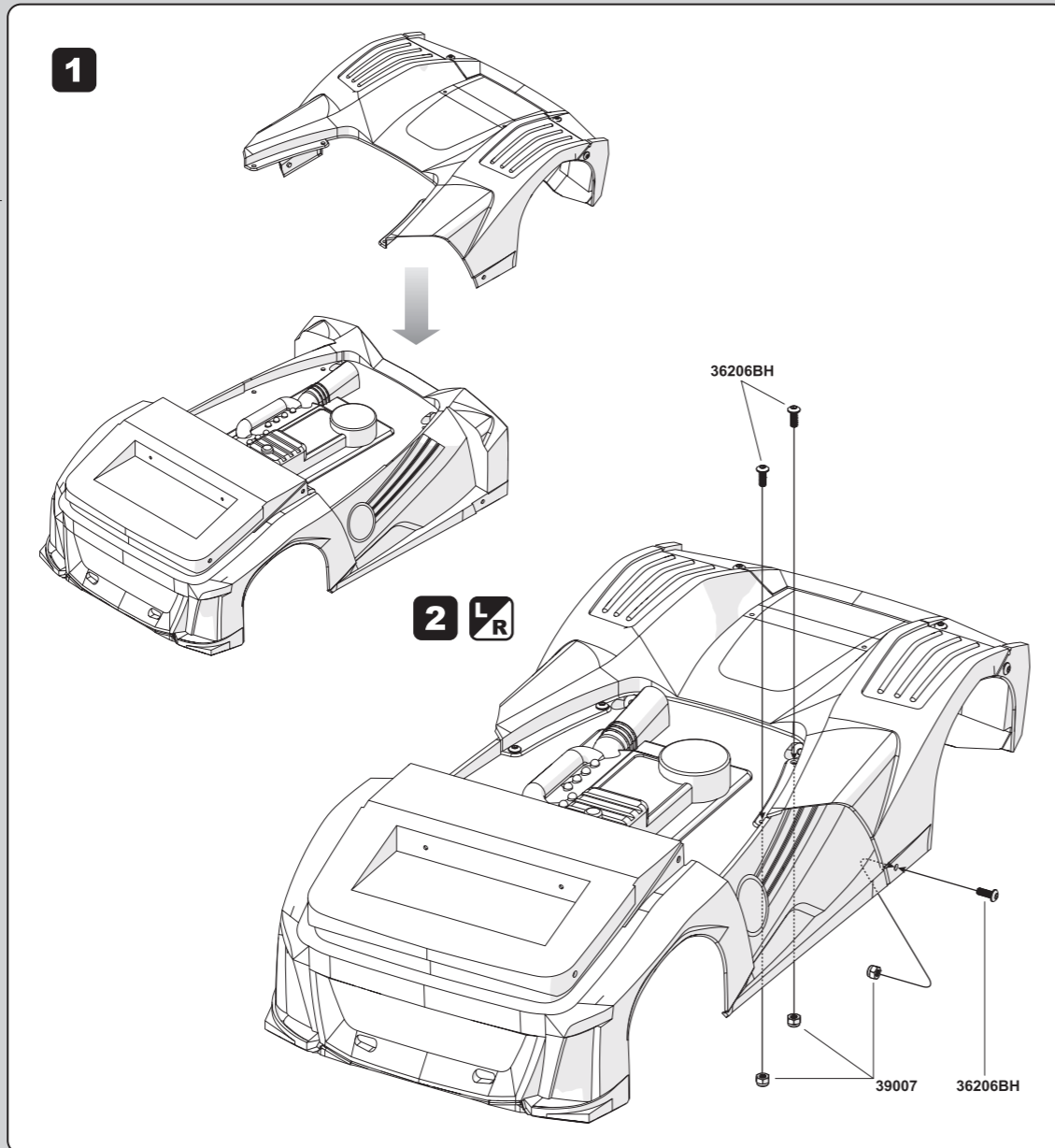
05.

-  36206BH
2.6x6mm x4
B/H Screw
-  39007
Nylon Nut M2.6 x4






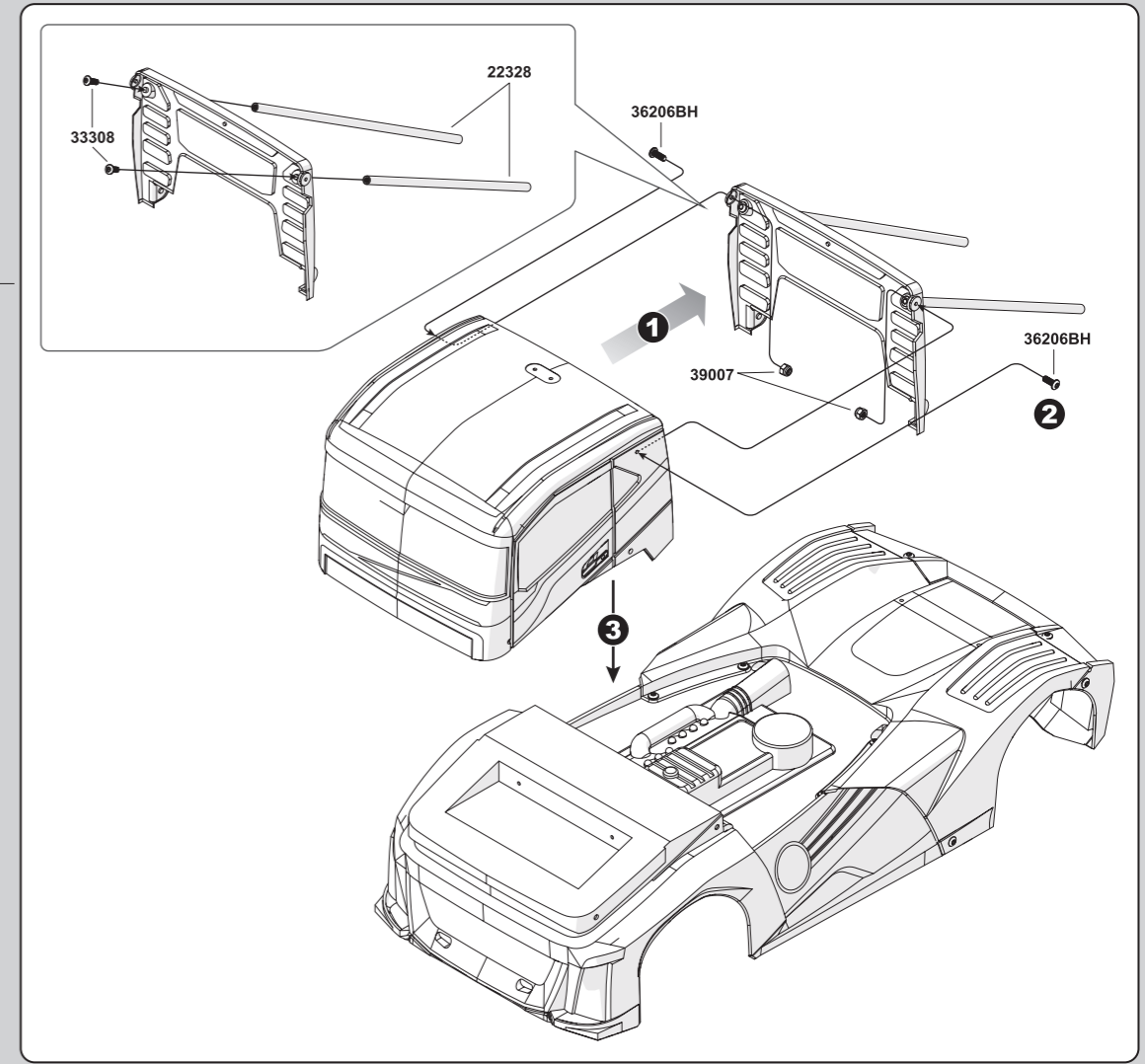
06.

-  36206BH
2.6x6mm x6
B/H Screw
-  39007
Nylon Nut M2.6 x6






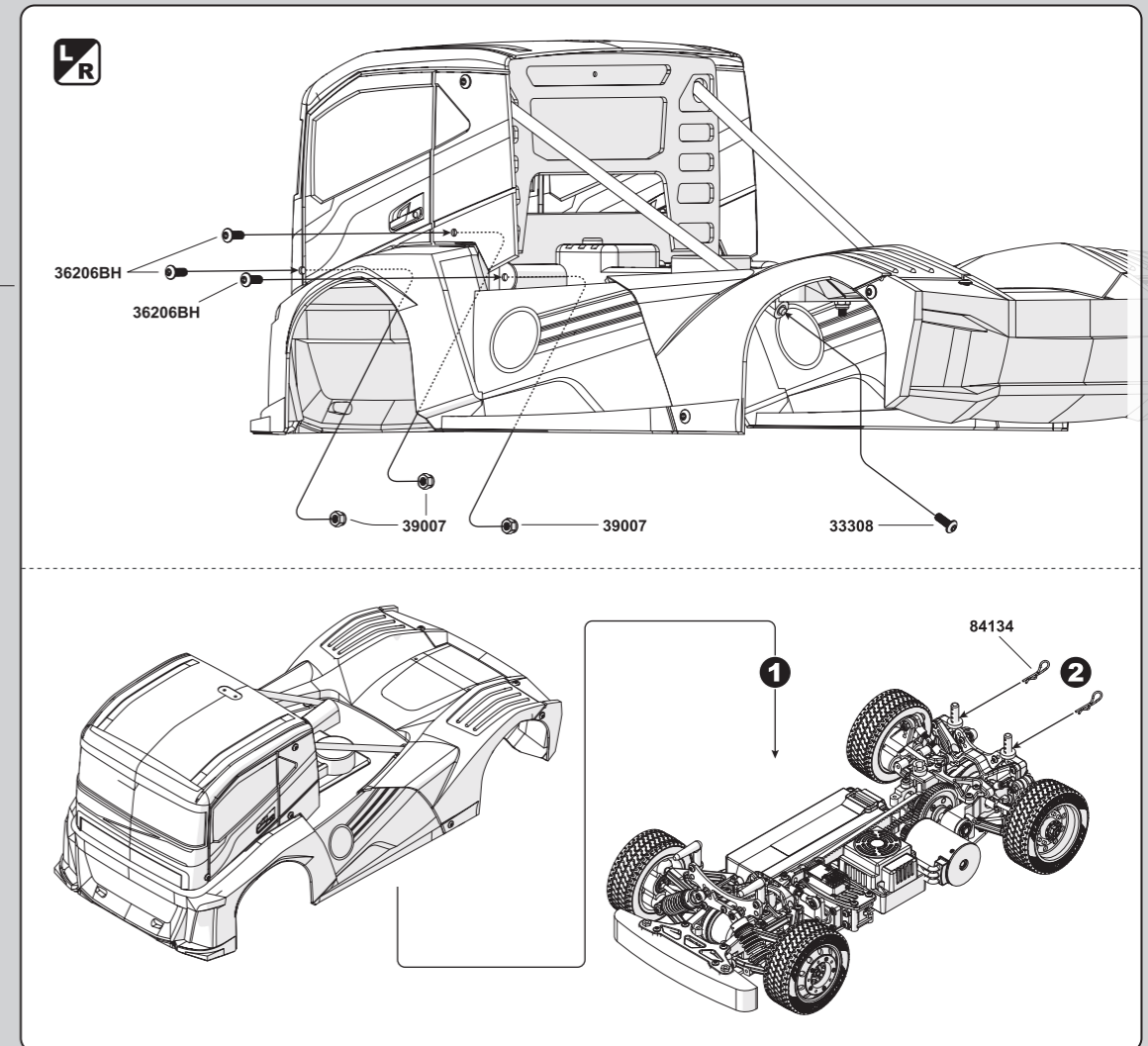
07.

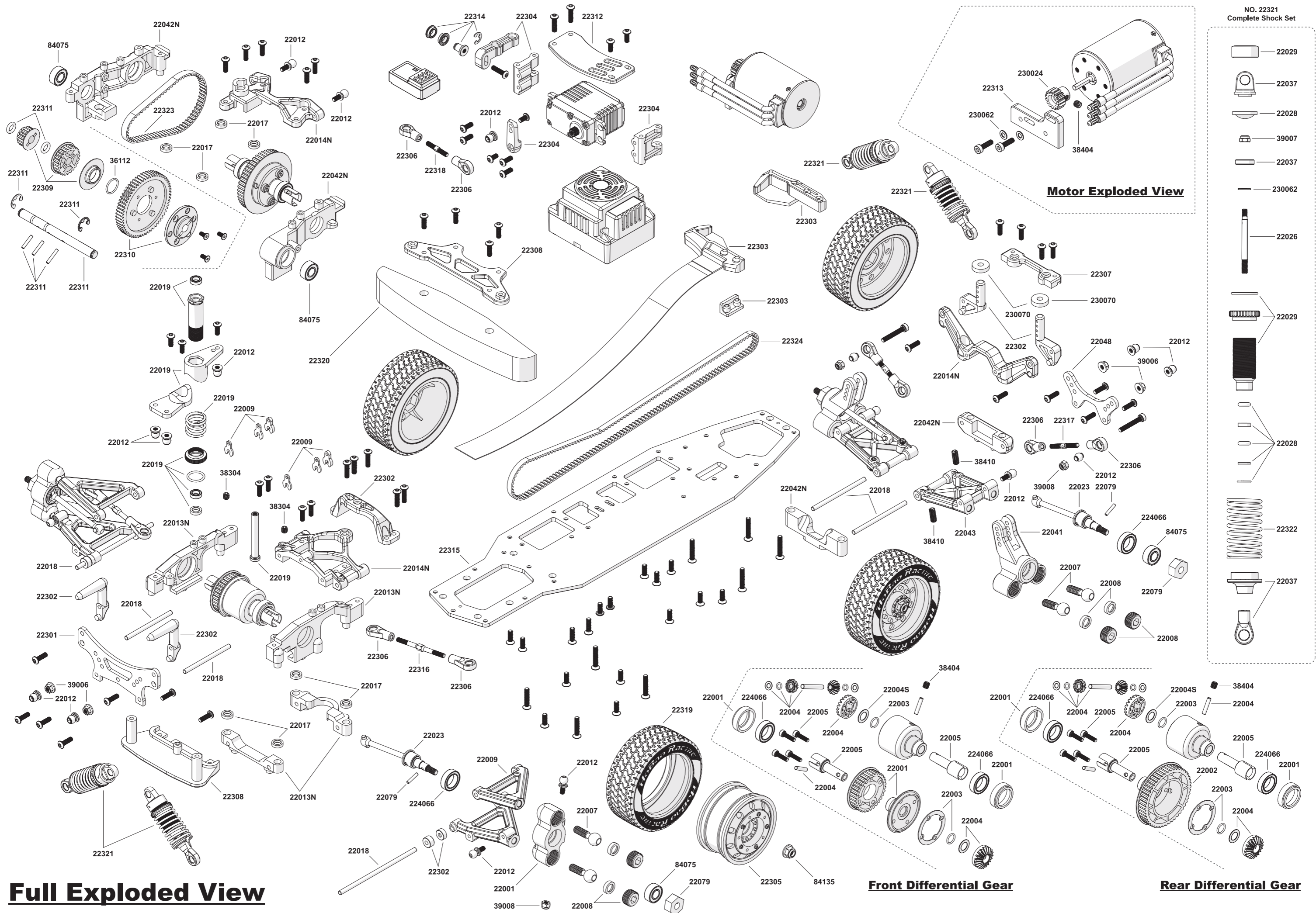
-  33308
3x8mm x2
B/H Screw
-  36206BH
2.6x6mm x2
B/H Screw
-  39007
Nylon Nut M2.6 x2



08.

-  33308
3x8mm x2
B/H Screw
-  36206BH
2.6x6mm x6
B/H Screw
-  39007
Nylon Nut M2.6 x6





Full Exploded View

Motor Exploded View

Front Differential Gear

Rear Differential Gear

NO. 22321
Complete Shock Set

- 22029
- 22037
- 22028
- 39007
- 22037
- 230062
- 22026
- 22029
- 22028
- 22028
- 22322
- 22037
- 22037

Standard Parts

22001 32T 2pcs	22008P 8pcs	22023 2pcs	22043 2pcs	22308 3x20mm	22318 3x20mm
22002 48T 2pcs	22009 2pcs 1mm 2mm 4pcs 2pcs	22023D 3.5x46mm 2pcs	22048 Alum. Rear Shock Tower 2pcs	22309 2.6x6mm Screw 18pcs	22319 4pcs
22003 4x4mm Set Screw 6x1mm Oring 2.6x12mm Screw 2pcs 4pcs	22010 2.6x12mm Screw 4pcs	22023P 2x9.8mm 2pcs	22079 2x9.8mm Pin Nylon Nut M4 4pcs	22310 2.6x6mm Screw 3pcs	22320 3x8mm Screw 4pcs
22003-W 2pcs	22012 4pcs 2pcs	22026 4pcs	22301 Alum. Front Shock Tower 2pcs	22311 2x11.8mm Pin 2x10.8mm Pin 4.8x1.9mm Oring 2pcs 2pcs 2pcs	22321 2pcs
22004 3.1x6x0.3mm Washer 6.1x10x0.3mm Washer 2.5x11.8mm Oring 3x0.9mm Oring 3x21.8mm 2pcs 2pcs 2pcs 2pcs 1pc	22013N 2.5x11.8mm Oring 3x0.9mm Oring 2pcs 2pcs	22028 1mm Oring 2mm Oring 2.4x4.9mm Oring 4pcs 4pcs 10pcs	22302 1pc 2pcs 2pcs 1pc	22312 5x8x2.5mm Bearing 2pcs	22322 4pcs
22004S 6.1x10x0.3mm Washer 5pcs	22014N 12x1mm Oring 4pcs	22029 2pcs 2pcs 12x1mm Oring 4pcs	22303 2pcs 2pcs	22313 5x8x2.5mm Bearing 2pcs	22323 4pcs
22005 2pcs	22017 5x8x2mm Alum. Collar 8pcs	22029-1 4pcs	22304 2pcs	22314 5x8x2.5mm Bearing 2pcs	22324 6pcs
22006 2pcs	22018 3x44mm Pin 3x52mm Pin 3x74mm Pin 2pcs	22037 2pcs	22305 Front Rear 2pcs 2pcs	22315 5x8x2.5mm Bearing 2pcs	22325 CLEAR BODY 2.6x6mm Screw 18pcs
22007 4pcs	22019 10x1.3mm Oring 5x8x2.5mm Bearing 1pc 2pcs	22041 2pcs	22306 4pcs 6pcs	22316 3x45mm 2pcs	22326 PEARL WHITE BODY 2.6x6mm Screw 18pcs
22008 8pcs	 1pc 1pc 1pc 1pc	22042N 2pcs	22307 2pcs	22317 3x26mm 2pcs	 2.6x6mm Screw 18pcs

Standard Parts

22327 YELLOW BODY 2.6x6mm Screw 18pcs	224066 10x15x4mm Bearing 4pcs	230024 15T 4x4mm Set Screw 2pcs
22328 2pcs	230062 3.1x6x0.5mm Washer 10pcs	230070 Spacer 10pcs
22329 2pcs	36112 10x1mm Oring 5pcs	84075 6x13x5mm Bearing 4pcs
22329 2pcs	84134 6pcs	

Optional Parts

22106 Graphite Rear Shock Tower 2x11.8mm	22175 Alum. 2x11.8mm	22331 24T 2x11.8mm
22109 2x11.8mm	22176 2x11.8mm	22332 32T 2x11.8mm
22115 12x18mm Bearing 2pcs	22177 Graphite Front Shock Tower 2x11.8mm	22333 48T 2x11.8mm
22130 Alum. 4pcs	22211 Titanium Turnbuckle 28L 2pcs	22334 2x11.8mm
22144 58T 2x11.8mm	22213 Titanium Turnbuckle 45L 2pcs	22335 32T 2x11.8mm
22145 59T 2x11.8mm	22215 Titanium Pivot Ball 2pcs	
22150 Alum. 2x11.8mm	22221 12x18mm Ceramic Bearing 2pcs	
22160 2x11.8mm	22222 6x13x5mm Ceramic Bearing 2pcs	
22167 4pcs	22223 10x15x4mm Ceramic Bearing 2pcs	
22168 8pcs	22330 16T 2x8.8mm	

HoBao Racing Inc.

No. 34, Lane 112, Szu Yuan Road,
Hsin Chuang District,
New Taipei City, Taiwan 24250

Phone: +886-2-2996-2229

Email: hobao@hobao.com.tw

HoBao Racing USA

1765 Greensboro Station Place,
Tower 1, Suite 900,
McLean, VA 22192

Tel: +1-888-687-6780

Email: info@hobao-usa.com

EPX

ELECTRIC TRUCK



HoBao
www.hobao-racing.com

**INSTRUCTION
MANUAL**